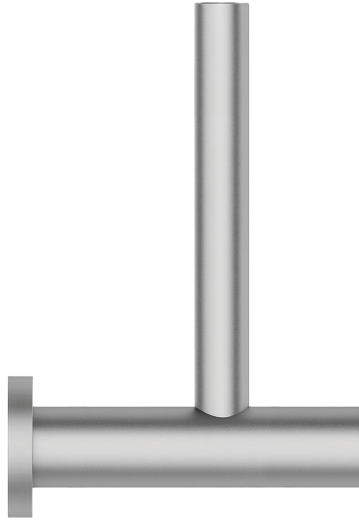


STEEL

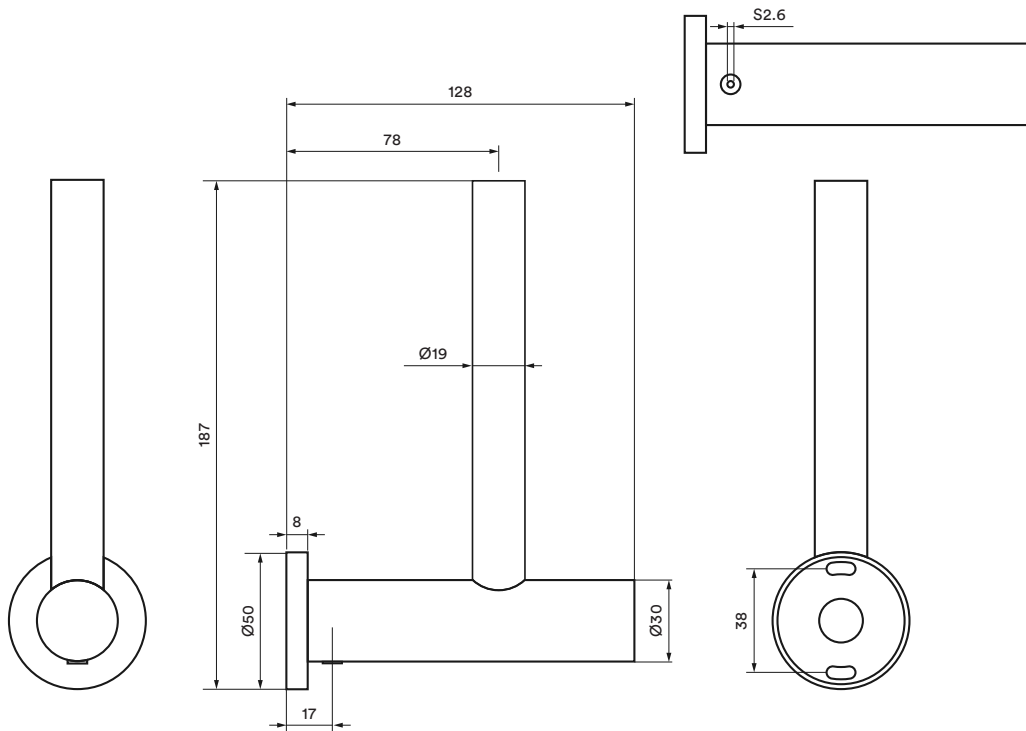
ACC - SS - 007

Spare Toilet Roll Holder

PRODUCT



TECHNICAL SPECIFICATIONS



FEATURES

- 15 year warranty.
- 316 stainless steel.
- 70mm depth.



WARRANTY

Refer to joansa.co.za for warranty terms & conditions.

CARE

Cleaning:

- To maintain the brightness of your bathroom accessory, clean it regularly.
- Wash the bathroom accessory with clean water and dry it with a soft cotton cloth.
- To avoid damaging the surface, do not use polishing powders or cleaning agents that contain coarse particles.
- Avoid using acidic detergents, as they may cause corrosion.

Joan

**Stainless Steel
with a conscience**

+27 (021) 510 0489
30 Royal Road, Maitland
Cape Town, 7405. South Africa