

27 723 970 Product version from 2/1/2023



- with angular rosette
- spray flow
- automatic spout/shower diverter
- height of mixer 190 mm
- hole diameter rinsing spray 32mm
- fabric braided hose 1500 mm
- sprayface with anti-scaling system
- lead-free

Can only be combined with 33826680, 32815680.

Intrinsic protection against back flow.

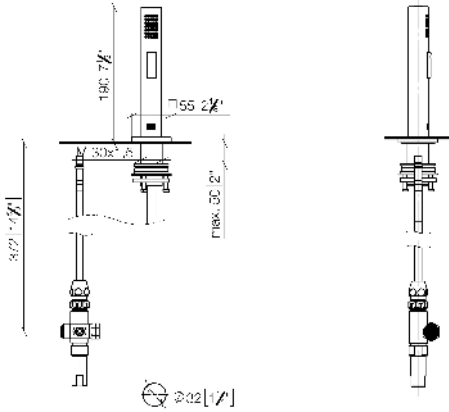
Residual water may emerge from the spray after closing.

Operating unit can be positioned freely.

	Platinum	27 723 970-08
	Chrome	27 723 970-00
	Brushed Platinum	27 723 970-06
	Dark Chrome	27 723 970-19
	Brushed Durabronze (23kt Gold)	27 723 970-28
	Brushed Bronze	27 723 970-42
	Brushed Champagne (22kt Gold)	27 723 970-46
	Champagne (22kt Gold)	27 723 970-47
	Brushed Dark Platinum	27 723 970-99

27 723 970 Product version from 2/1/2023

Unit [Inches]



Codes & Standards

DIN 4109	ISO 3822	NSF372	NSF61
----------	----------	--------	-------

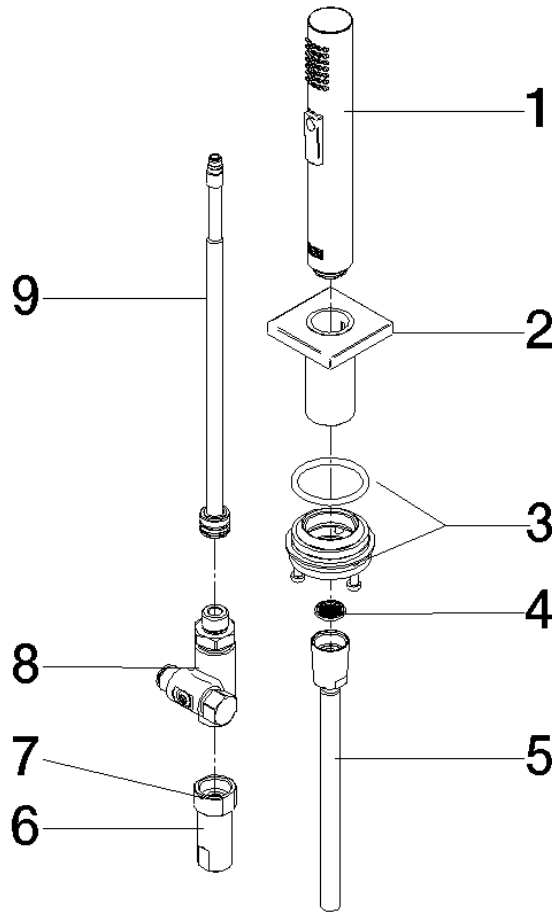
Ü-Zeichen

Certificates and sustainability

LGA_29	IAPMO_N-4976	IAPMO_6397
--------	--------------	------------

27 723 970 Product version from 2/1/2023

Parts for other finishes can be found here: [Chrome](#)



Spare parts list

No.	Item Number	Name	Quantity used	Delivery time
6	90 24 03 241 00 90	nipple	1.00	2
7	90 14 20 026 00 90	seal	1.00	2
9	90 28 20 068 00 90	connection	1.00	2
3	90 30 10 058 00 90	fixing set	1.00	2
5	90 30 02 062 00-08	hose	1.00	40
2	90 27 78 011 00-08	shaft	1.00	40
8	90 17 09 046 12 90	diverter	1.00	2
1	04 12 11 158 00-08	shower	1.00	40
4	09 23 01 039 90	sieve	1.00	2