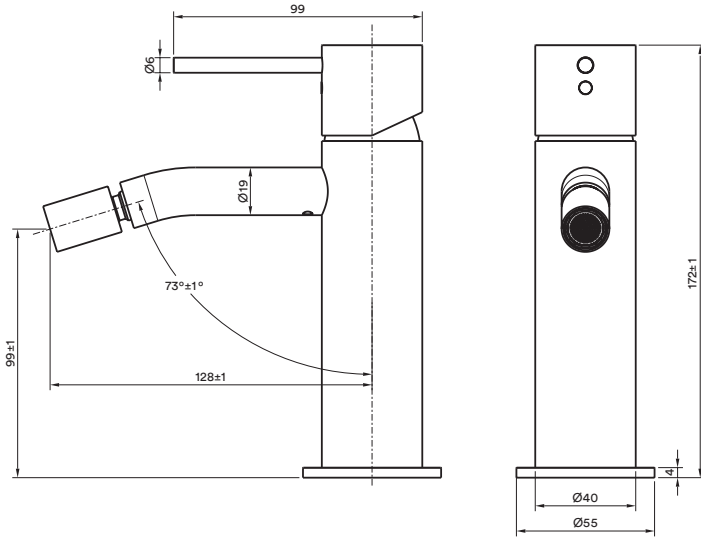


TECHNICAL SPECIFICATIONS



PRODUCT

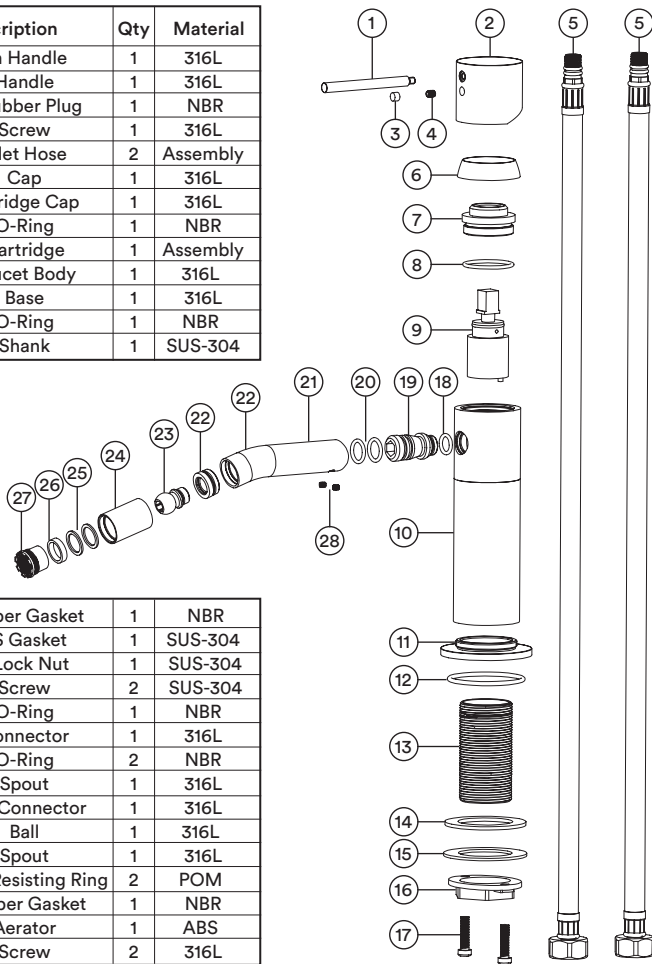


STEEL
MIX - SS - 005
Bedet Mixer

DETAILED ASSEMBLY

No	Description	Qty	Material
1	Pin Handle	1	316L
2	Handle	1	316L
3	Rubber Plug	1	NBR
4	Screw	1	316L
5	Inlet Hose	2	Assembly
6	Cap	1	316L
7	Crtridge Cap	1	316L
8	O-Ring	1	NBR
9	Cartridge	1	Assembly
10	Faucet Body	1	316L
11	Base	1	316L
12	O-Ring	1	NBR
13	Shank	1	SUS-304

14	Rubber Gasket	1	NBR
15	SS Gasket	1	SUS-304
16	Lock Nut	1	SUS-304
17	Screw	2	SUS-304
18	O-Ring	1	NBR
19	Connector	1	316L
20	O-Ring	2	NBR
21	Spout	1	316L
22	Ball Connector	1	316L
23	Ball	1	316L
24	Spout	1	316L
25	Wear Resisting Ring	2	POM
26	Rubber Gasket	1	NBR
27	Aerator	1	ABS
28	Screw	2	316L



FEATURES

- 15 Year Warranty
- 316 Stainless Steel
- European Cartridge
- Flow rate : 4.5 Litres per minute @ 3 bar pressure.



WARRANTY

Refer to joansa.co.za for warranty terms & conditions.

CARE

Preparation:

Apply copper slip lubricant to prevent seizing of threaded fasteners.

Cleaning:

- Remove dirt using clean water and a soft cotton cloth.
- Clean the stainless steel surface with:
 - Gentle liquid detergent.
 - Colourless glass cleaner.
 - Non-abrasive polishes.
- Dry and remove all cleaning material with a soft cotton cloth.

CERTIFICATION

JASWIC APPROVED.
SABS TESTED & APPROVED.



Stainless Steel
with a conscience

+27 (021) 510 0489
30 Royal Road, Maitland,
Cape Town. 7405. South Africa

FLOW RATE

