

MW11 CIRCULAR WALL TAPS

meir®

MATTE BLACK
MW11

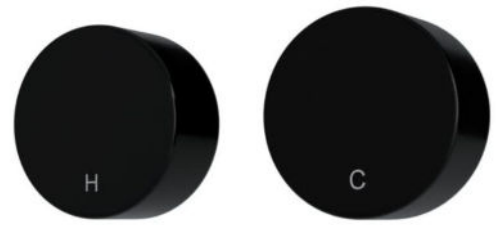
CHROME
MW11-C

CHAMPAGNE
MW11-CH

**TIGER
BRONZE**
MW11-BB

**BRUSHED
NICKEL**
MW11-PVDBN

**AVAILABLE
FINISHES**



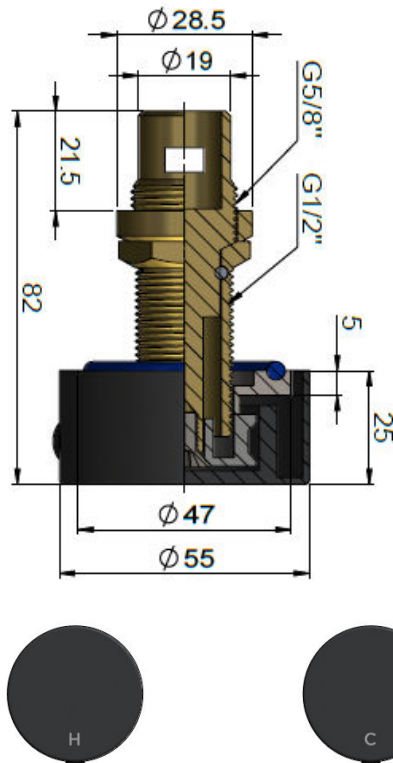
FEATURES

- 10 Year warranty
- Flow rate 20 L p/m
- European ceramic cartridge
- Solid brass construction
- Box Weight 0.8 kg

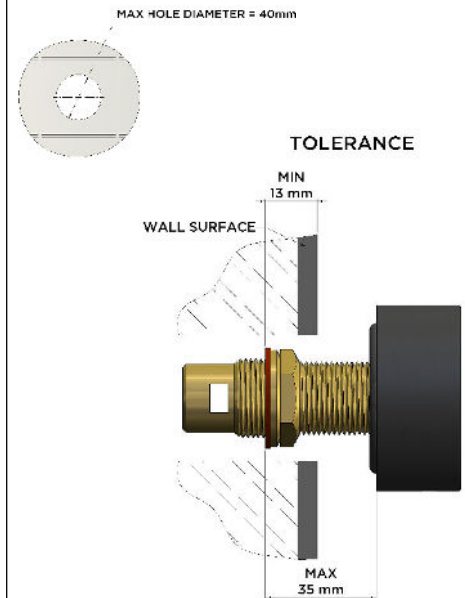
CARE

- Do not install tapware using any form of acetone silicones.
- Do not apply physical items (such as tools) directly to product.
- Never use house-hold or commercial detergents, citrus based cleaners, or abrasive cleaners.
- Clean using a mild washing soap solution rinsed, and dry with a soft cloth.
- Check for any product defects before installation.
- Refer to the installation manual for correct installation.

SPECIFICATIONS



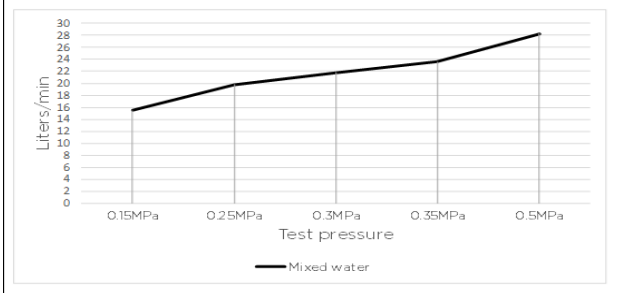
TOLERANCES



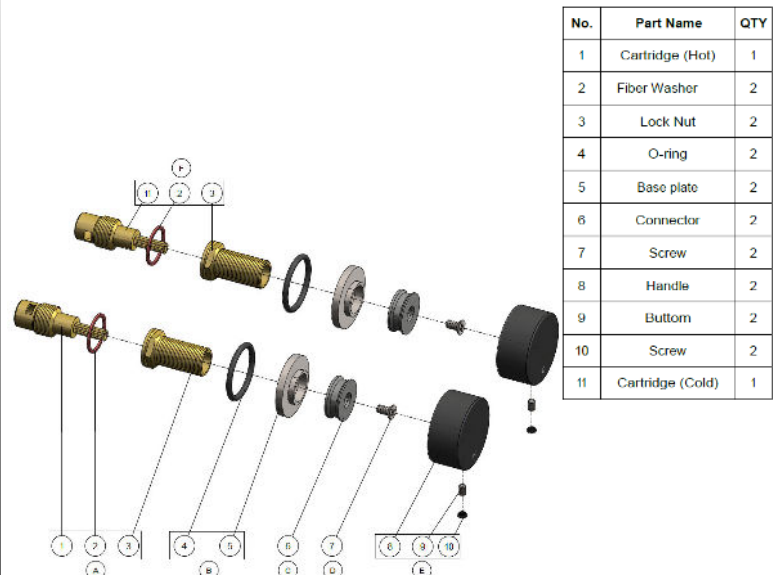
FLOW RATE GRAPH

Test pressure	0.15MPa	0.25MPa	0.3MPa	0.35MPa	0.5MPa
Mixed water	15.47	19.81	21.77	23.58	28.27

Flowchart



EXPLODED VIEW



No.	Part Name	QTY
1	Cartridge (Hot)	1
2	Fiber Washer	2
3	Lock Nut	2
4	O-ring	2
5	Base plate	2
6	Connector	2
7	Screw	2
8	Handle	2
9	Bottom	2
10	Screw	2
11	Cartridge (Cold)	1

CREDENTIALS

- WaterMark AS/NZS 3718:2005