

# MB09

## FREE-STANDING BATH MIXER

meir®

### FEATURES

- Refer to the Meir website for warranty terms & conditions, and available finishes.
- Flow rate 20 L p/ m at 3 bar pressure.
- European components and cartridge
- Solid brass construction
- Box Weight 6.2 Kg

### CARE

- Do not install tapware using any form of acetone silicones.
- Do not apply physical items (such as tools) directly to product.
- Never use house-hold or commercial detergents, citrus based cleaners, or abrasive cleaners.
- Clean using a mild washing soap solution rinsed, and dry with a soft cloth.
- Check for any product defects before installation.
- Refer to the installation manual for correct installation.

### HANDLE VARIANTS



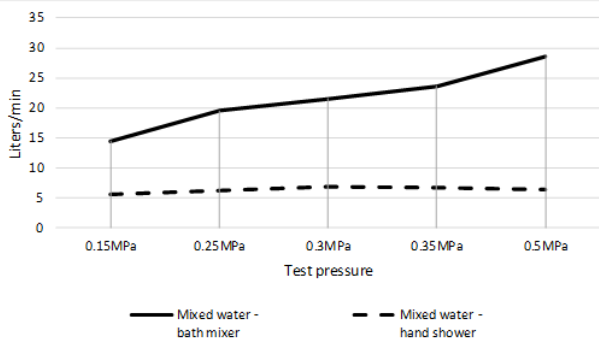
Paddle: MB09PD



Pinless: MB09PN



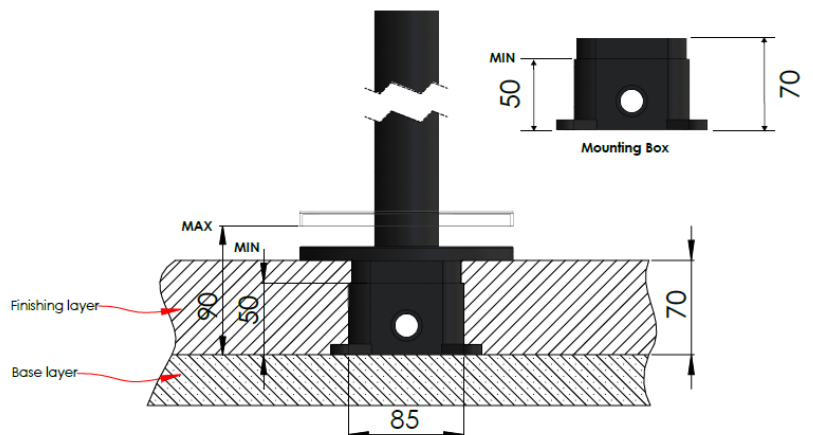
### FLOW RATE GRAPH



### CREDENTIALS

- Watermark AS/ NZS3718W MKA250 13
- 3-star WELS rated
- 9 litres p/ minute
- WELS registration No. S14861

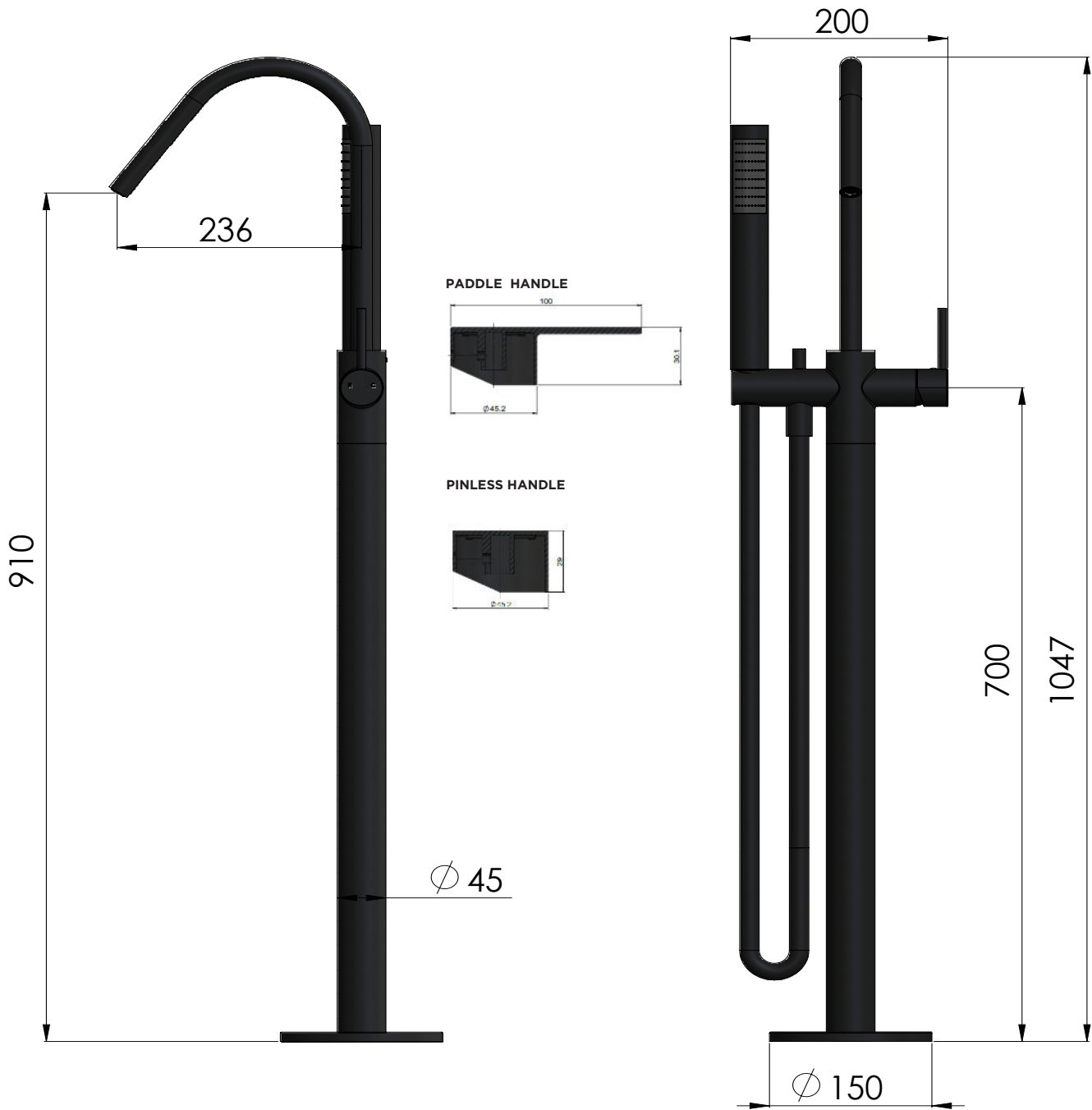
### TOLERANCE



# MB09

## FREE-STANDING BATH MIXER

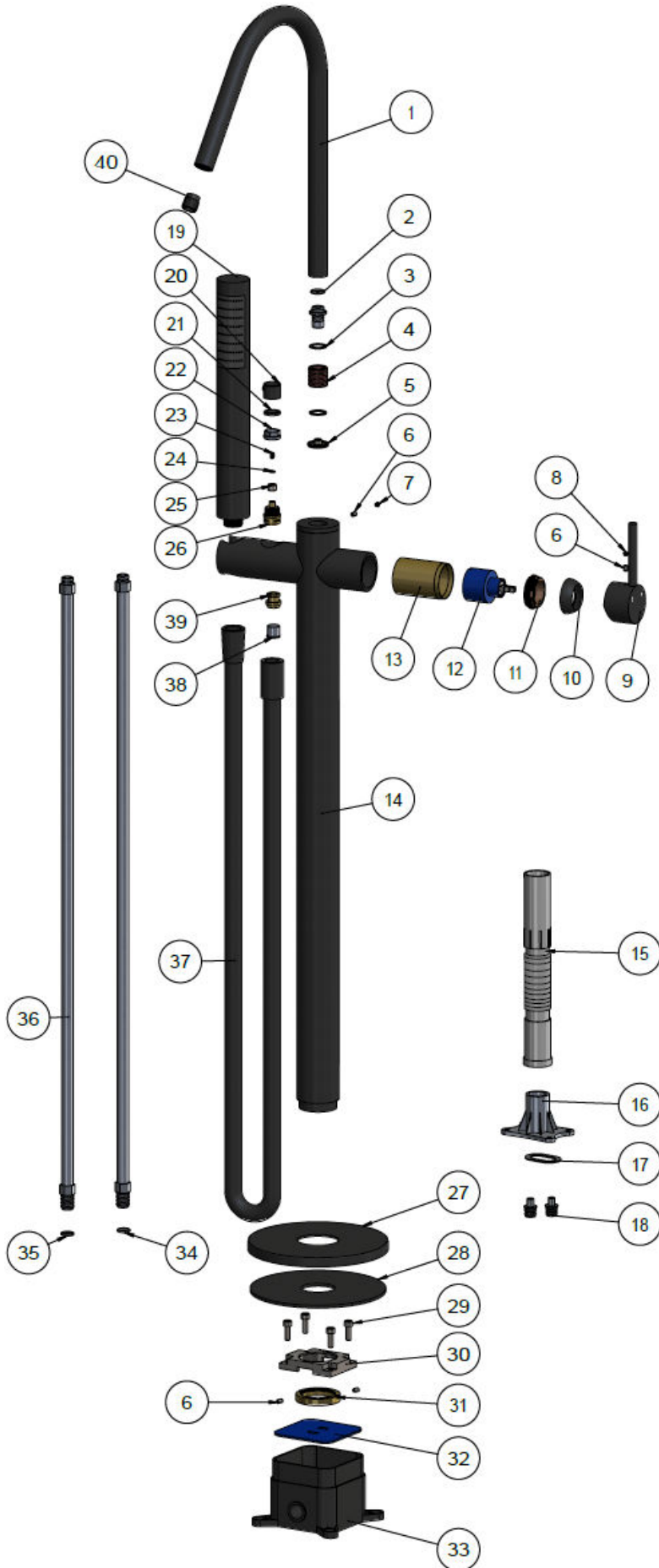
### SPECIFICATIONS



# MB09

## FREE-STANDING BATH MIXER

### EXPLODED VIEW



Item No.	Part Name	Qty.
1	Spout	1
2	O-ring	1
3	Washer	2
4	Brass Sleeve	1
5	Lock Nut	1
6	Screw	4
7	Button	1
8	Decor Knob	1
9	Handle	1
10	Decor Cover	1
11	Lock Nut	1
12	D35 Cartridge	1
13	Brass Sleeve	1
14	Stand Pipe	1
15	Telescopic corrugated pipe	1
16	Water Testing Seat	1
17	Washer	1
18	Plug	2
19	Handle Shower	1
20	Handle	1
21	Wearing Ring	1
22	Connector	1
23	Screw	1
24	Washer	1
25	Connector	1
26	Divertor Cartridge	1
27	Back Plate	1
28	Sponge Gasket	1
29	Screw	4
30	Fixed Plate	1
31	Fixing Nut	1
32	Dust Shield	1
33	Plastic Box	1
34	O-ring	1
35	O-ring	1
36	Inlet Water hose	2
37	Shower Hose	1
38	Check Valve	2
39	Connector	1
40	Aerator	1