

6

5

4

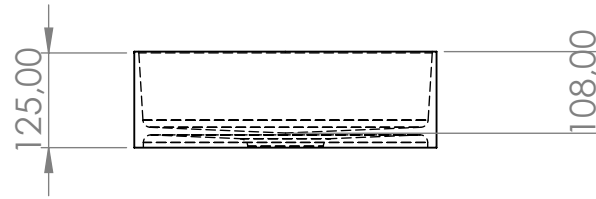
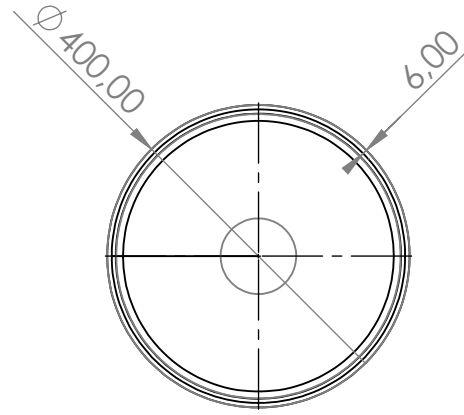
3

2

1

D

D



C

C

B

B

A

A

| | | | | | | | | | | | |
|---|--|--|--|---------|--|------------------------------------|--|-----------------------------------|--|--------------------|--|
| UNLESS OTHERWISE SPECIFIED: DIMENSIONS ARE IN MILLIMETERS SURFACE FINISH: TOLERANCES: LINEAR: ANGULAR: | | | | FINISH: | | DEBURR AND BREAK SHARP EDGES | | DO NOT SCALE DRAWING | | REVISION | |
| | | | | | | | | Boutique Baths (Pty) Ltd | | | |
| | | | | | | | | TITLE: SLIM ROUND | | | |
| DRAWN | | | | NAME | | SIGNATURE | | DATE | | DWG NO. SLIM001 | |
| CHK'D | | | | | | | | | | A4 | |
| APPV'D | | | | | | | | | | | |
| MFG | | | | | | | | | | | |
| Q.A | | | | | | | | MATERIAL: Cian Solid Surfacing | | SCALE:1:10 | |
| | | | | | | | | WEIGHT: 4.8 kg | | SHEET 1 OF 1 | |

6

5

4

3

2

1