

6

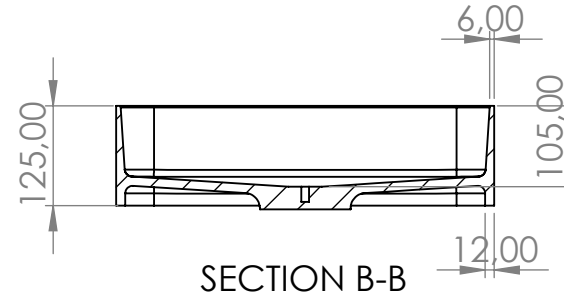
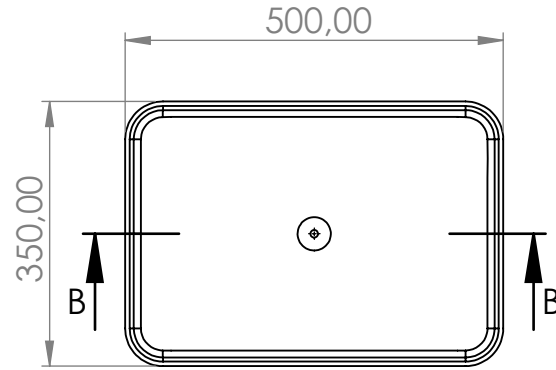
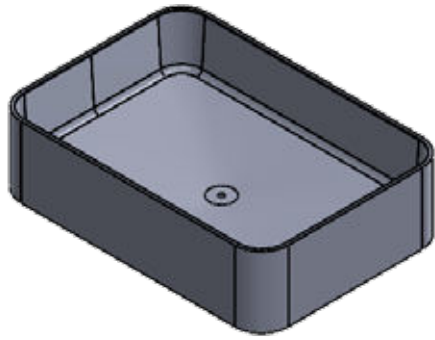
5

4

3

2

1



UNLESS OTHERWISE SPECIFIED: DIMENSIONS ARE IN MILLIMETERS SURFACE FINISH: TOLERANCES: LINEAR: ANGULAR:				FINISH:		DEBURR AND BREAK SHARP EDGES		DO NOT SCALE DRAWING		REVISION	
								Boutique Baths (Pty) Ltd			
								TITLE: SLIM RECTANGLE			
DRAWN						MATERIAL:		DWG NO.		A4	
CHK'D						Cian Solid Surfacing		SLIM006			
APPV'D						WEIGHT: 6.6 kg		SCALE:1:10		SHEET 1 OF 1	
MFG											
Q.A											

6

5

4

3

2

1

D

D

C

C

B

B

A

A