

6

5

4

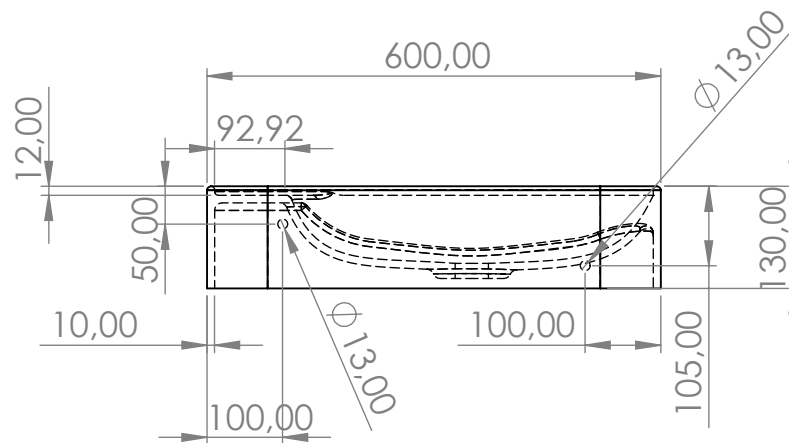
3

2

1

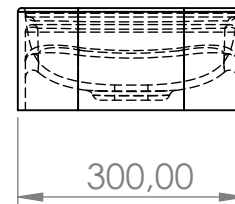
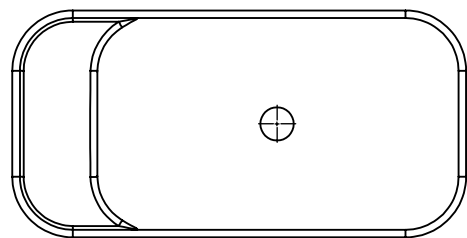
D

D



C

C



B

B

A

A

UNLESS OTHERWISE SPECIFIED:
 DIMENSIONS ARE IN MILLIMETERS
 SURFACE FINISH:
 TOLERANCES: 1%
 LINEAR:
 ANGULAR:

FINISH:

DEBURR AND
 BREAK SHARP
 EDGES

DO NOT SCALE DRAWING

REVISION

Boutique Baths (Pty) Ltd

	NAME	SIGNATURE	DATE		
DRAWN					
CHK'D					
APPV'D					
MFG					
Q.A					
				MATERIAL:	
				WEIGHT: 8.8 kg	

TITLE:
 Marco Wall Hung Basin
 600 x 300 x 130 mm

DWG NO.
 (MARCO)

A4

SCALE:1:10

SHEET 1 OF 1

6

5

4

3

2

1