

# MW07TS

## DIVERTER MIXER

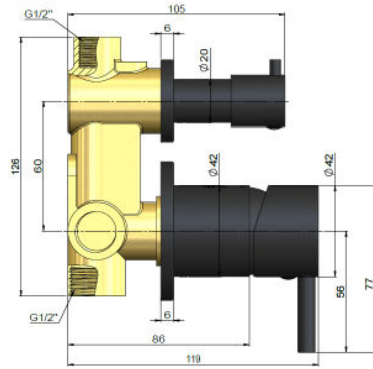
meir®

### HANDLE VARIANTS



Paddle:MW07TSPD Paddle:MW07TSPDN

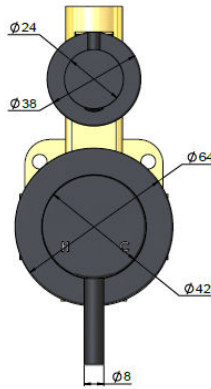
### SPECIFICATIONS



#### PADDLE HANDLE

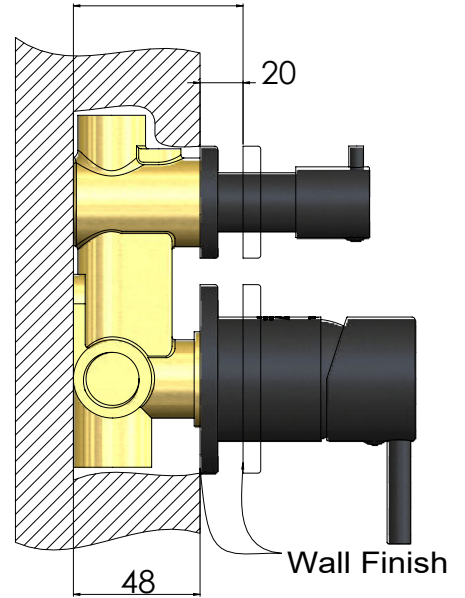


#### PINLESS HANDLE



### TOLERANCES

Max Tolerance 68



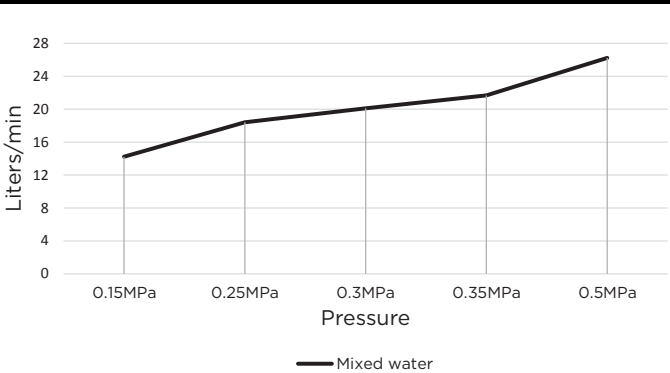
### FEATURES

- Refer to the Meir website for warranty terms & conditions, and available finishes.
- In-built diverter switch
- Flow rate 18L p/m at 3 bar pressure.
- European components and cartridge
- Solid brass construction
- Box Weight 1.7Kg

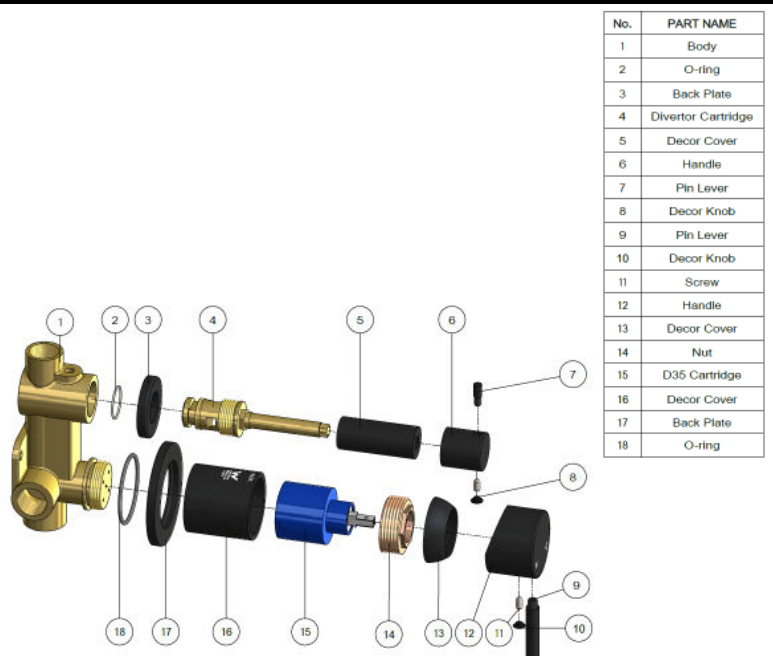
### CARE

- Do not install tapware using any form of acetone silicones.
- Do not apply physical items (such as tools) directly to product.
- Never use house-hold or commercial detergents, citrus based cleaners, or abrasive cleaners.
- Clean using a mild washing soap solution rinsed, and dry with a soft cloth.
- Check for any product defects before installation.
- Refer to the installation manual for correct installation.

### FLOW RATE GRAPH



### EXPLODED VIEW



### CREDENTIALS

- Watermark AS/NZS 3718 WMKA25013