

MK17

ROUND PULL OUT KITCHEN MIXER

meir®

HANDLE VARIANTS

Paddle:M

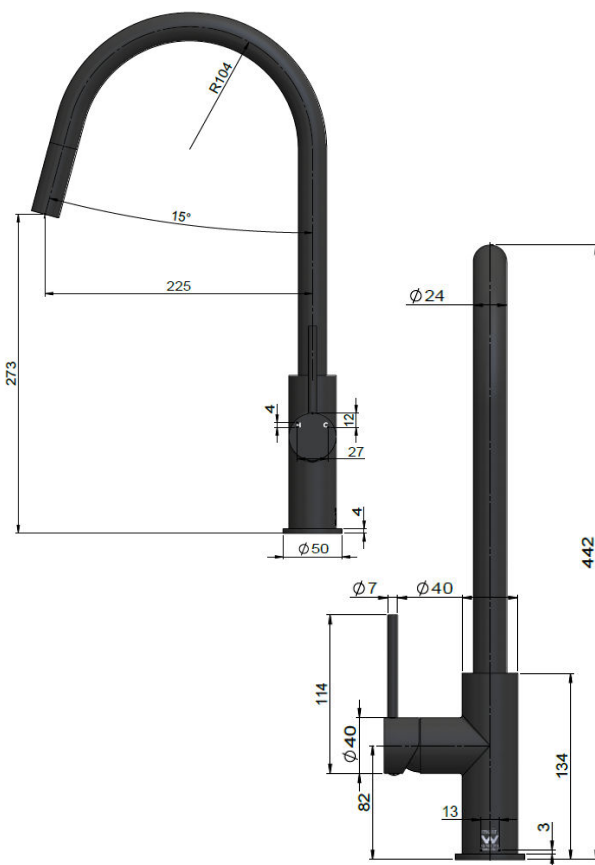
FEATURES

- Refer to the Meir website for
- European components and cartridge
- Solid brass construction
- Pull out hand spout
- Box Weight 2.9 Kg

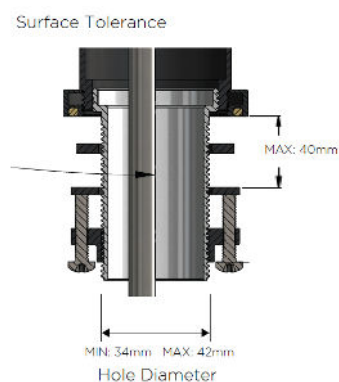
CARE

- Do not install tapware using any form of acetone silicones.
- Do not apply physical items (such as tools) directly to product.
- Never use house-hold or commercial detergents, citrus based cleaners, or abrasive cleaners.
- Clean using a mild washing soap solution rinsed, and dry with a soft cloth.
- Check for any product defects before installation.
- Refer to the installation manual for correct installation.

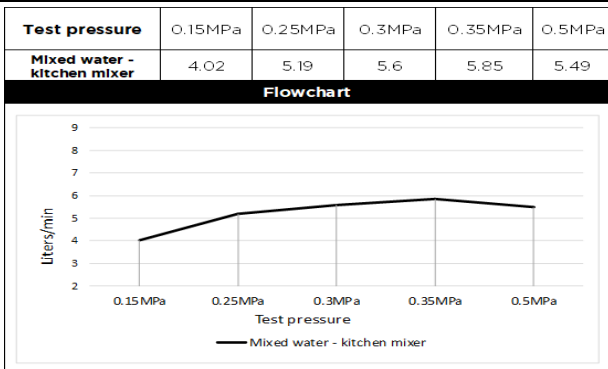
SPECIFICATIONS



TOLERANCES



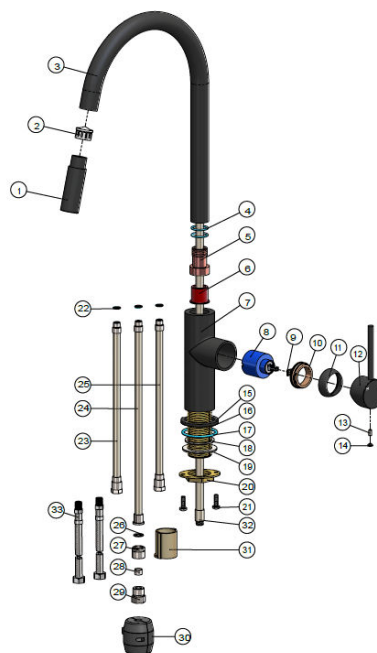
FLOW RATE GRAPH



CREDENTIALS

- Watermark AS/NZS3718WMKA25013

EXPLODED VIEW



| No. | Part Name | QTY |
|-----|---------------------|-----|
| 1 | Spray Head | 1 |
| 2 | Cover | 1 |
| 3 | Spout | 1 |
| 4 | O-ring | 2 |
| 5 | Connector | 1 |
| 6 | Rubber Sleeve | 1 |
| 7 | Body | 1 |
| 8 | Kerox Cartridge | 1 |
| 9 | Washer | 1 |
| 10 | Locking Nut | 1 |
| 11 | Decor Cover | 1 |
| 12 | Handle | 1 |
| 13 | Screw | 1 |
| 14 | Decor Button | 1 |
| 15 | Dressing Ring | 1 |
| 16 | Thread | 1 |
| 17 | O-ring | 1 |
| 18 | Washer | 1 |
| 19 | Washer | 1 |
| 20 | Nut | 1 |
| 21 | Screw | 2 |
| 22 | O-ring | 3 |
| 23 | Welding Inlet Pipe | 1 |
| 24 | Welding Outlet Pipe | 1 |
| 25 | Welding Inlet Pipe | 1 |
| 26 | Washer | 1 |
| 27 | Connector | 1 |
| 28 | Non-return Valve | 1 |
| 29 | Connector | 1 |
| 30 | Weight Ball | 1 |
| 31 | Cover | 1 |
| 32 | Pull Out Hose | 1 |
| 33 | Hose | 2 |