

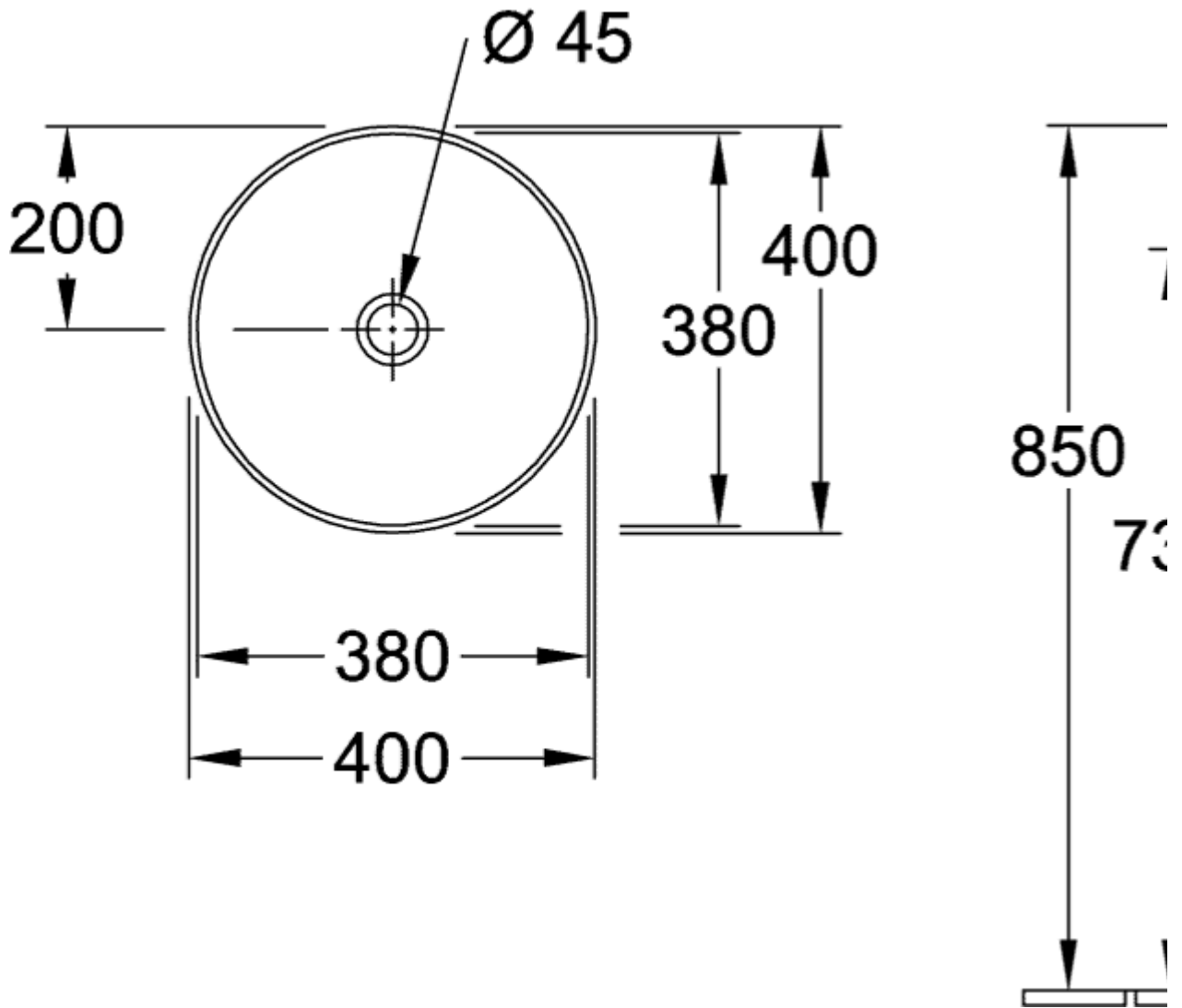
## COLLARO SURFACE-MOUNTED WASHBASIN ROUND

### PRODUCT INFORMATION



Article title	Villeroy & Boch Collaro Surface-mounted washbasin, 400 x 400 x 145 mm, White Alpin, without overflow
Article number	4A184001
Assembly / Assembly type	Surface-mounted
Assembly instructions	Recommendation: to be installed with a gap of at least 50 mm between the washbasin and the wall
Scope of delivery	1 x surface-mounted washbasin , 1 x fastening set 1 x cut-out template
Depth in mm	400
Width in mm	400
Height in mm	145
Interior depth	100
Diameter in mm	400
Collection	Collaro
Tap fitting / Tap hole information	<ul style="list-style-type: none"> <li>• when using a wall-mounted tap fitting, we recommend a projection of at least 210 mm</li> <li>• Please note: unclosable outlet valve must be used with models without overflow</li> </ul>
Suitable for	Wall-mounted tap fittings, Matching Villeroy&Boch furniture Tap fitting with raised base
Material	TitanCeram
surface	glossy
Colour name	White Alpin
With overflow	No
Shape	Round
Colour designation	White Alpin
Antibacterial surface (with AntiBac)	No
Easy surface cleaning (CeramicPlus)	No
Underside of washbasin	unground
Number of bowls	1

4A184001



4A184001

