

27 718 809



- with round rosette
- spray flow
- automatic spout/shower diverter
- height of mixer 171 mm
- hole diameter rinsing spray 32mm
- fabric braided hose 1500 mm
- sprayface with anti-scaling system
- lead-free
- This product can help a building to meet requirements of Green Building Rating Systems, e.g. LEED®, BREEAM®, DGNB

Can only be combined with 33810809, 33826809, 19815809, 19825809.

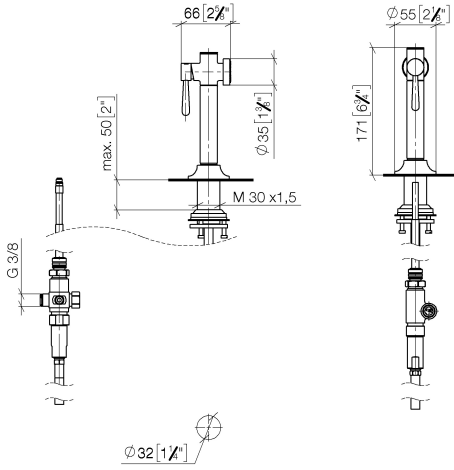
Intrinsic protection against back flow.

Residual water may emerge from the spray after closing.

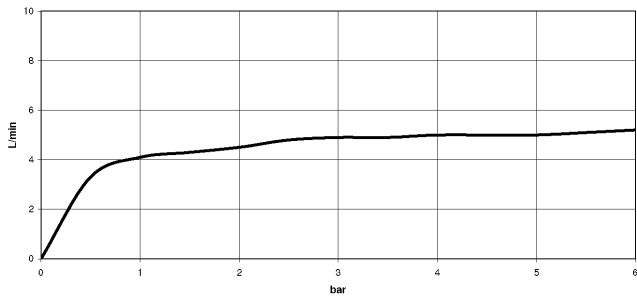
|   |                               |               |
|---|-------------------------------|---------------|
|    | Brushed Platinum              | 27 718 809-06 |
|    | Chrome                        | 27 718 809-00 |
|    | Platinum                      | 27 718 809-08 |
|    | Durabrace (23kt Gold)         | 27 718 809-09 |
|    | Dark Chrome                   | 27 718 809-19 |
|    | Brushed Durabrace (23kt Gold) | 27 718 809-28 |
|    | Matte Black                   | 27 718 809-33 |
|    | Brushed Champagne (22kt Gold) | 27 718 809-46 |
|    | Champagne (22kt Gold)         | 27 718 809-47 |
|   | Brushed Chrome                | 27 718 809-93 |
|  | Brushed Dark Platinum         | 27 718 809-99 |

27 718 809

mm [inches]



Flow rate chart



Certificates

LGA\_38634.