

# MS11

## DECK MOUNTED BATH OR BASIN SPOUT



meir®

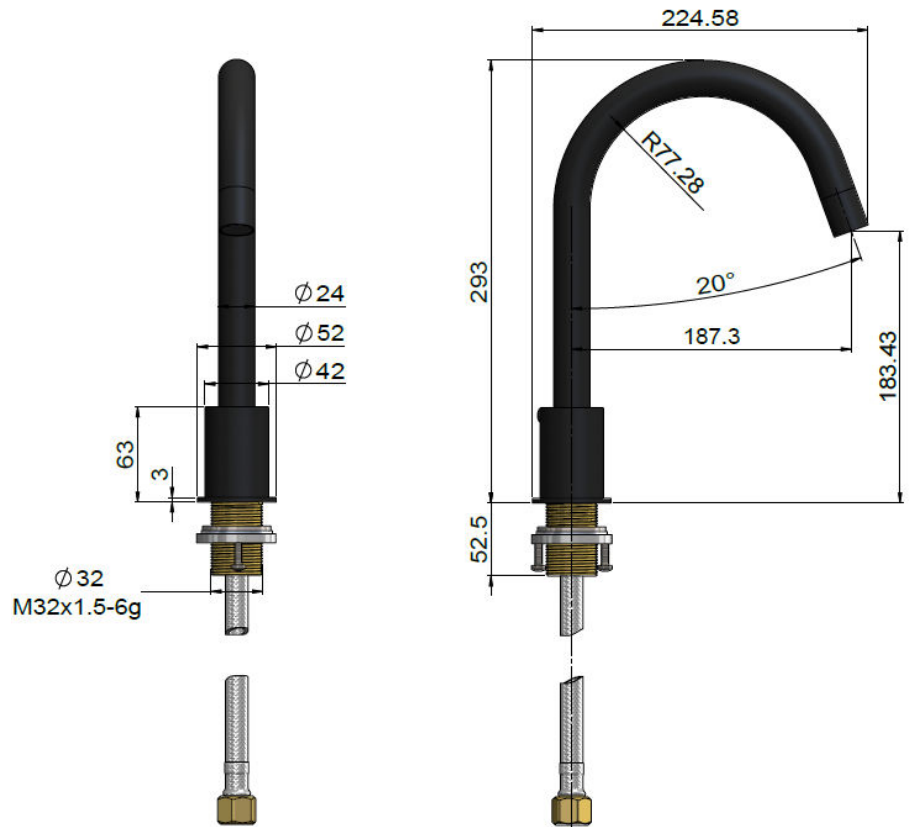
### FEATURES

- Refer to the Meir website for warranty terms & conditions, and available finishes.
- Flow rate 5 L/m & 25 L/m at 3 bar pressure.
- European aerators, basin and bath
- Solid brass construction.

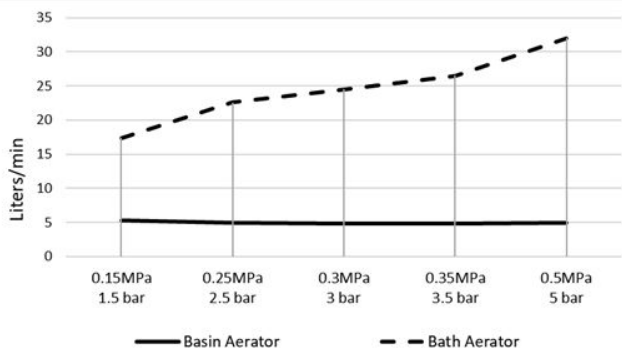
### CARE

- Do not install tapware using any form of acetone silicones.
- Do not apply physical items (such as tools) directly to product.
- Never use house-hold or commercial detergents, citrus based cleaners, or abrasive cleaners.
- Clean using a mild washing soap solution rinsed, and dry with a soft cloth.
- Check for any product defects before installation.
- Refer to the installation manual for correct installation.

### SPECIFICATIONS



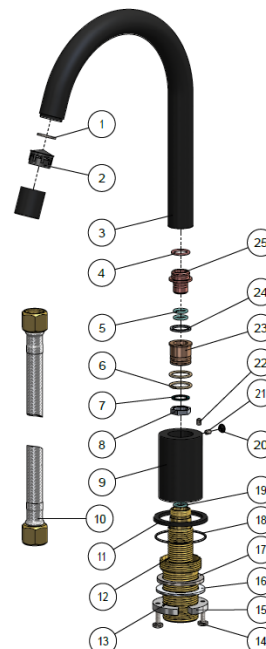
### FLOW RATE GRAPH



### CREDENTIALS

- Watermark AS/NZS3718WMKA25013
- 4-star WELS rated
- 5.5 lltres p/minute
- WELS registration No: T41582

### EXPLODED VIEW



No.	Part Name	Qty
1	Washer	1
2	Aerator X2	1
3	Spout	1
4	O-Ring	1
5	O-Ring	2
6	O-Ring	2
7	Washer	1
8	Nut	1
9	Base	1
10	Inlet Hose	1
11	Base	1
12	Thread Tube connector	1
13	Thread Tube	1
14	Screw	2
15	Nut	1
16	Washer	1
17	Flat Washer	1
18	O-Ring	1
19	O-Ring	1
20	Decorative Button	1
21	Screw	1
22	Screw	1
23	Copper Sleeve	1
24	Wearing Ring	1
25	Connector	1