

28 043 980



Fits: IMO, LULU, MEM, CL.1, CYO

- rain shower 300 x 240mm
- PURE RAIN, max. flow rate 6.8 l/min (at 3 bar)
- PURIFY RAIN, max. flow rate 6.8 l/min (at 3 bar)
- min. recess depth 137,5 mm
- with anti-scale system
- For simultaneous control of the jet types, we recommend the xTool thermostat module
- This product can help a building to meet requirements of Green Building Rating Systems, e.g. LEED®, BREEAM®, DGNB

A three-way diverter ensures that the maximum flow rate of 9 l/min is not exceeded by using several flow modes simultaneously. Three-way diverter trim is sold separately

A three-way diverter ensures that the maximum flow rate of 9 l/min is not exceeded by using several flow modes simultaneously.

Three-way diverter trim is sold separately

	Brushed Platinum	28 043 980-06 0050
	Chrome	28 043 980-00 0050
	Platinum	28 043 980-08 0050
	Dark Chrome	28 043 980-19 0050
	Brushed Durabrass (23kt Gold)	28 043 980-28 0050
	Matte Black	28 043 980-33 0050
	Brushed Champagne (22kt Gold)	28 043 980-46 0050
	Champagne (22kt Gold)	28 043 980-47 0050
	Brushed Chrome	28 043 980-93 0050
	Brushed Dark Platinum	28 043 980-99 0050

Required miscellaneous

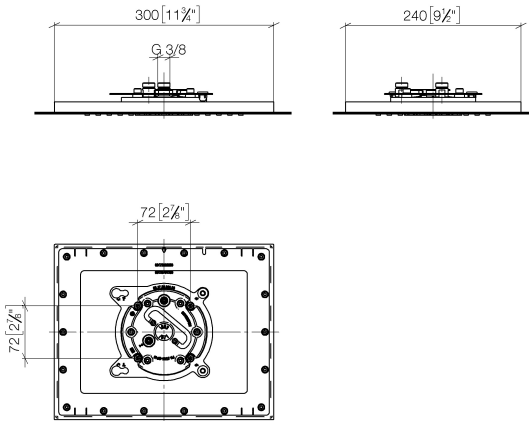


Concealed ceiling installation box for recessed ceiling installation - 35 043 970 90

- recess depth 137mm
- 2x female thread 1/2" outlet
- concealed rough parts
- flush-mounted RAL 9003 signal white light reflection box 310 x 250 mm

28 043 980

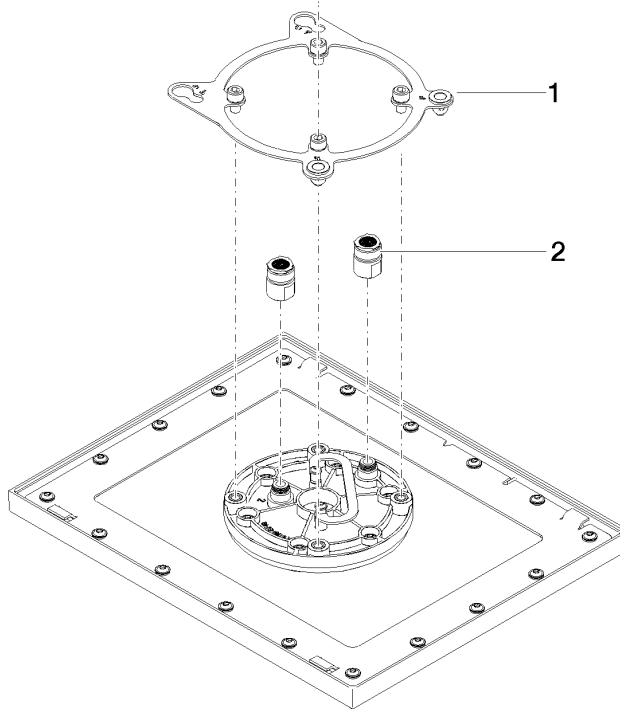
mm [inches]



Flow rate chart



28 043 980



Spare parts list

No.	Item Number	Name	Quantity used	Delivery time
1	90 17 20 260 00 90	flange	1	2
2	90 24 03 309 02 90	connection	1	2