

**Rain shower for surface-mounted ceiling installation with light 300 mm -
Brushed Platinum**

TARA

28 032 970



Fits: TARA, LISSÉ, VAIA, META

- rain shower Ø 300 mm
- PURE RAIN, max. flow rate 6.8 l/min (at 3 bar)
- PURIFY RAIN, max. flow rate 6.8 l/min (at 3 bar)
- Distance to ceiling from bottom edge of shower 40 mm
- with anti-scale system
- central LED Spot 3000 K
- Provided by customer: Light switch
- For simultaneous control of the jet types, we recommend the xTool thermostat module
- This product can help a building to meet requirements of Green Building Rating Systems, e.g. LEED®, BREEAM®, DGNB
- Not suitable for use in a steam room.

A three-way diverter ensures that the maximum flow rate of 9 l/min is not exceeded by using several flow modes simultaneously. Three-way diverter trim is sold separately

A three-way diverter ensures that the maximum flow rate of 9 l/min is not exceeded by using several flow modes simultaneously.

Three-way diverter trim is sold separately

| | | |
|--|-------------------------------|--------------------|
|  | Brushed Platinum | 28 032 970-06 0050 |
|  | Chrome | 28 032 970-00 0050 |
|  | Platinum | 28 032 970-08 0050 |
|  | Dark Chrome | 28 032 970-19 0050 |
|  | Brushed Durabrass (23kt Gold) | 28 032 970-28 0050 |
|  | Matte Black | 28 032 970-33 0050 |
|  | Brushed Champagne (22kt Gold) | 28 032 970-46 0050 |
|  | Champagne (22kt Gold) | 28 032 970-47 0050 |
|  | Brushed Chrome | 28 032 970-93 0050 |
|  | Brushed Dark Platinum | 28 032 970-99 0050 |

Required miscellaneous



Concealed ceiling installation box 35 042 970 90 for surface-mounted ceiling installation with light -

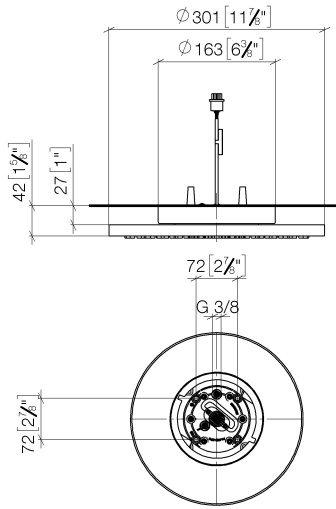
- min. recess depth 90 mm
- max. recess depth 115 mm
- 2x female thread 1/2" connections
- Input 100-240V AC 50-60Hz
- concealed rough parts
- Output 350 mA SELV / Class II
- Provided by customer: Light switch

**Rain shower for surface-mounted ceiling installation with light 300 mm -
Brushed Platinum**

TARA

28 032 970

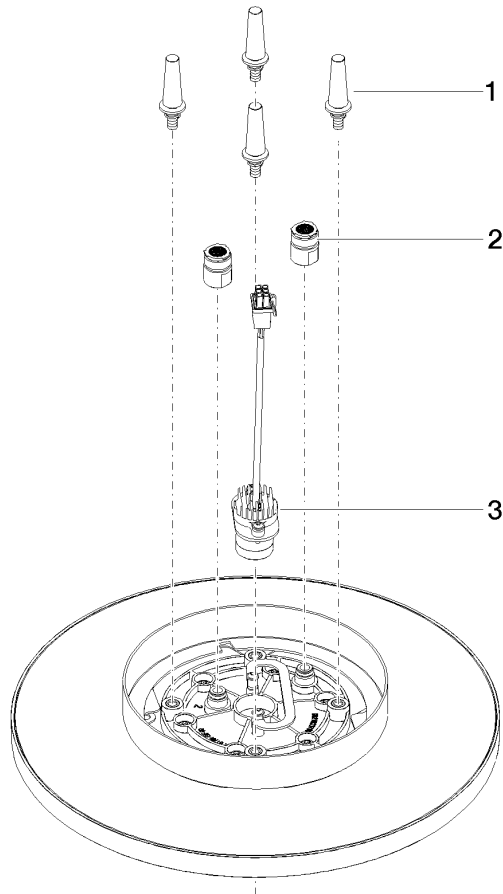
mm [inches]



Flow rate chart



28 032 970



Spare parts list

| No. | Item Number | Name | Quantity used | Delivery time |
|-----|--------------------|------------------------|---------------|---------------|
| 1 | 90 17 20 263 00 90 | fixing set | 1 | 2 |
| 2 | 90 24 03 309 02 90 | connection | 2 | 2 |
| 3 | 90 10 01 225 00 90 | electronic accessories | 1 | 2 |