

33 800 875



- 201mm projection
- pivotable spout 360°
- air-enriched flow
- height of mixer 373 mm
- height up to aerator 240 mm
- hole diameter 35 mm
- max. flow 8 l/min at 3 bar flow pressure
- lead-free
- This product can help a building to meet requirements of Green Building Rating Systems, e.g. LEED®, BREEAM®, DGNB

	Matte Black	33 800 875-33
	Chrome	33 800 875-00
	Brushed Platinum	33 800 875-06
	Platinum	33 800 875-08
	Durabrand (23kt Gold)	33 800 875-09
	Dark Chrome	33 800 875-19
	Brushed Durabrand (23kt Gold)	33 800 875-28
	Brushed Champagne (22kt Gold)	33 800 875-46
	Champagne (22kt Gold)	33 800 875-47
	Brushed Chrome	33 800 875-93
	Brushed Dark Platinum	33 800 875-99

Recommended miscellaneous

Dispenser without rosette - Matte Black 82 424 970-33

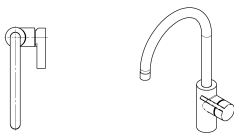
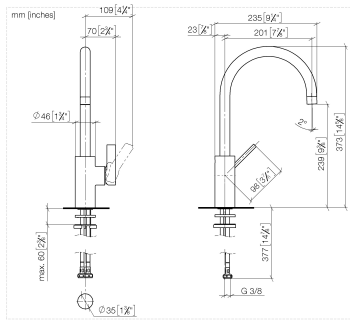


Recommended miscellaneous

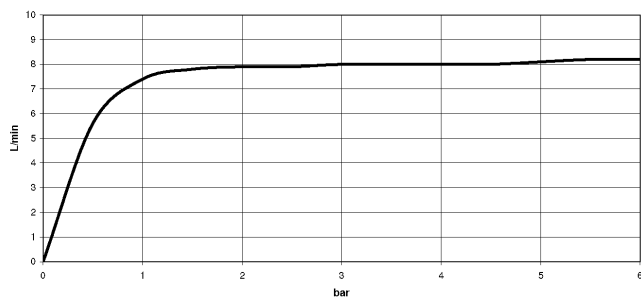
Strainer waste with control handle - Matte Black 10 712 970-33



33 800 875



Flow rate chart



Certificates

GDV_0400195. LGA_18899. WRAS_2101012. ETA_18980.

33 800 875

Parts for other finishes can be found here: [Chrome](#)

