

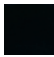
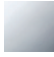


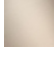


META META SLIM Wall-mounted single-lever basin mixer without pop-up waste - Matte Black

META

36 861 662



- 250 mm projection
- fixed spout
- circular, air-enriched flow
- hole diameter spout 37 mm
- hole diameter single-lever mixer 57 mm
- rosette for spout Ø 55mm
- rosette for mixer Ø 78mm
- max. flow 5.7 l/min
- lead-free
- This product can help a building to meet requirements of Green Building Rating Systems, e.g. LEED®, BREEAM®, DGNB

	Matte Black	36 861 662-33
	Chrome	36 861 662-00
	Brushed Platinum	36 861 662-06
	Dark Chrome	36 861 662-19
	Brushed Champagne (22kt Gold)	36 861 662-46
	Champagne (22kt Gold)	36 861 662-47
	Brushed Chrome	36 861 662-93

Required miscellaneous



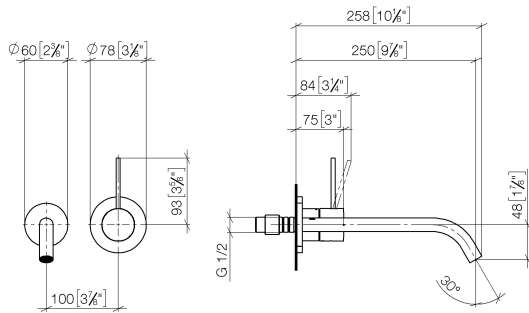
- Concealed wall-mounted single-lever mixer mixer on right -** 35 816 970 90
- NOTE:Not suitable for concealed installation.Connection by means of angle valves, mounted with screws to back wall.

Required miscellaneous

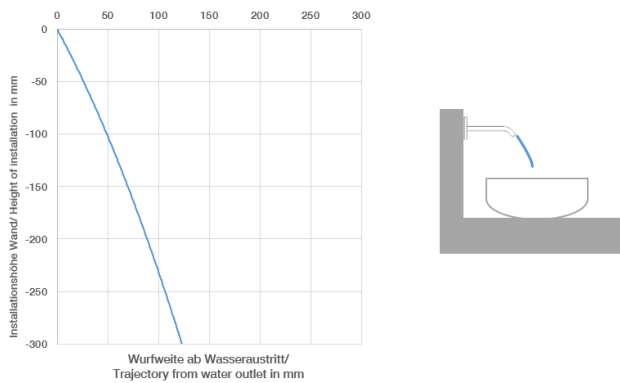


- Concealed wall-mounted single-lever mixer -** 35 860 970 90
- max. recess depth 95 mm
 - min. recess depth 80 mm

36 861 662
mm [inches]



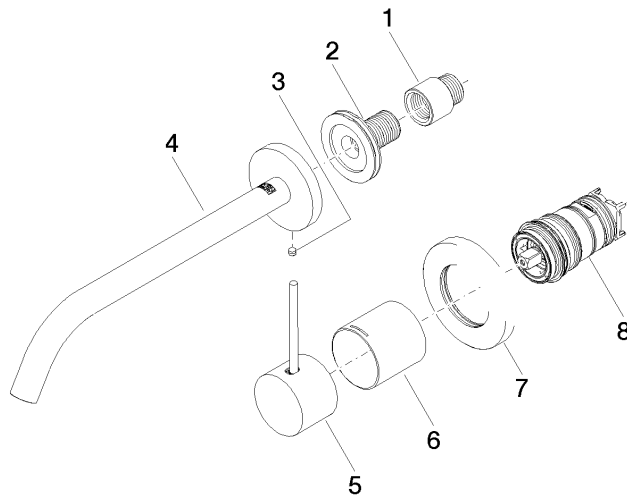
Flow rate chart



Certificates

DVGW_DW- LGA_29898.
6512DN0435.

36 861 662



Spare parts list

No.	Item Number	Name	Quantity used	Delivery time
1	09 24 03 072 10 90	nipple	1	2
2	90 24 03 280 00 90	nipple	1	2
3	09 31 11 112 90	pin	1	60
4	90 28 22 324 00-33	spout	1	30
5	90 20 66 022 00-33	handle	1	30
6	09 11 02 336-33	sleeve	1	30
7	90 27 62 011 00-33	rosette	1	30
8	90 15 05 044 02 90	cartridge	1	2