

36 712 782



- 200 mm projection
- fixed spout
- rectangular, air-enriched flow
- hole diameter valve 40 mm
- hole diameter spout 40 mm
- individual rosettes 60 x 60 mm
- max. flow 5.7 l/min
- lead-free
- This product can help a building to meet requirements of Green Building Rating Systems, e.g. LEED®, BREEAM®, DGNB

	Brushed Platinum	36 712 782-06
	Chrome	36 712 782-00
	Platinum	36 712 782-08
	Dark Chrome	36 712 782-19
	Brushed Durabronze (23kt Gold)	36 712 782-28
	Brushed Champagne (22kt Gold)	36 712 782-46
	Champagne (22kt Gold)	36 712 782-47
	Brushed Dark Platinum	36 712 782-99

Required miscellaneous



- Concealed wall-mounted mixer** 35 700 970 90
Centred spout -
 • max. recess depth 150 mm
 • min. recess depth 110 mm

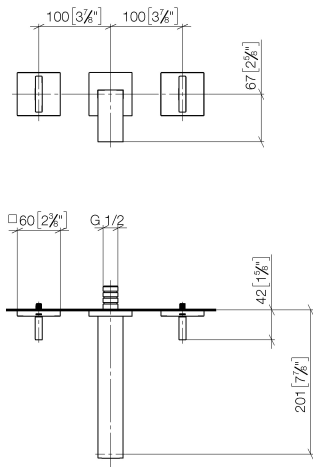
Required miscellaneous



- Concealed wall-mounted mixer** 35 720 970 90
variable positioning -
 • min. recess depth 110 mm
 • max. recess depth 150 mm

36 712 782

mm [inches]



Flow rate chart



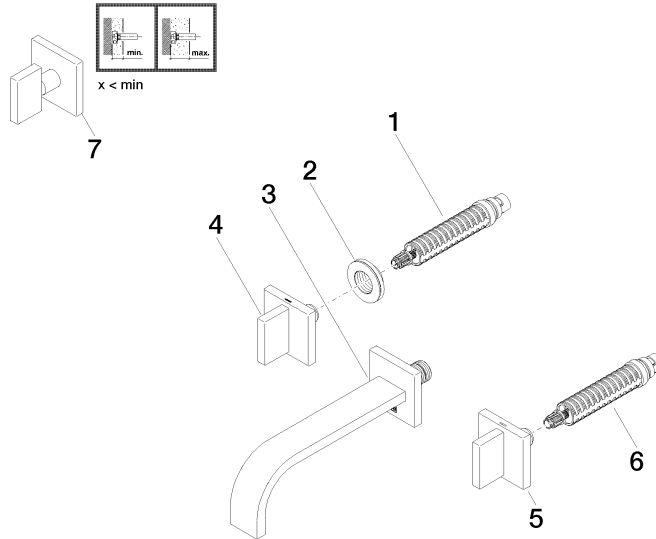
Certificates

LGA_18554.

WRAS_2204002.

ETA_19023.

36 712 782



Spare parts list

No.	Item Number	Name	Quantity used	Delivery time
1	90 90 03 156 00 90	top	1	2
2	09 21 02 108 90	disc	2	60
3	13 800 782-06	MEM Wall-mounted basin spout without pop-up waste - Brushed Platinum	1	10
4	90 20 78 002 07-06	handle (hot)	1	10
5	90 20 78 002 06-06	handle (cold)	1	10
6	90 90 03 157 00 90	top	1	2
7	90 20 78 002 01-06	handle	2	10