


TARA Wall-mounted basin mixer without pop-up waste - Brushed Dark Platinum

TARA

36 707 892



- 160 mm projection
- fixed spout
- circular, air-enriched flow
- hole diameter valve 40 mm
- hole diameter spout 40 mm
- rosettes Ø 55 mm
- max. flow 7 l/min
- lead-free
- WRAS 2107049
- This product can help a building to meet requirements of Green Building Rating Systems, e.g. LEED®, BREEAM®, DGNB

	Brushed Dark Platinum	36 707 892-99
	Chrome	36 707 892-00
	Brushed Platinum	36 707 892-06
	Platinum	36 707 892-08
	Dark Chrome	36 707 892-19
	Brushed Durabross (23kt Gold)	36 707 892-28
	Matte Black	36 707 892-33
	Brushed Champagne (22kt Gold)	36 707 892-46
	Champagne (22kt Gold)	36 707 892-47
	Brushed Chrome	36 707 892-93

Required miscellaneous



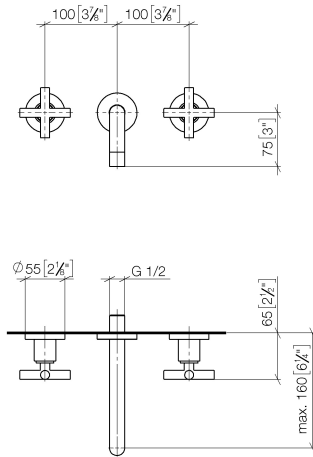
Concealed wall-mounted mixer Centred spout - 35 700 970 90
 •max. recess depth 145 mm
 •min. recess depth 85 mm

Required miscellaneous

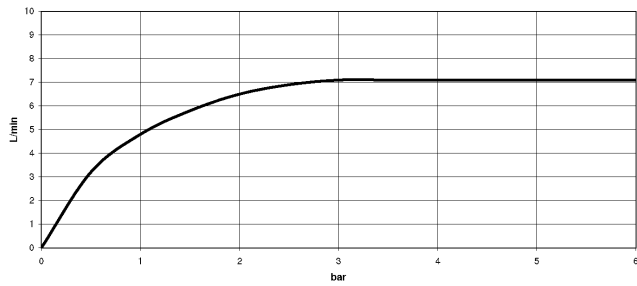


Concealed wall-mounted mixer variable positioning - 35 720 970 90
 •min. recess depth 85 mm
 •max. recess depth 145 mm

36 707 892
mm [inches]



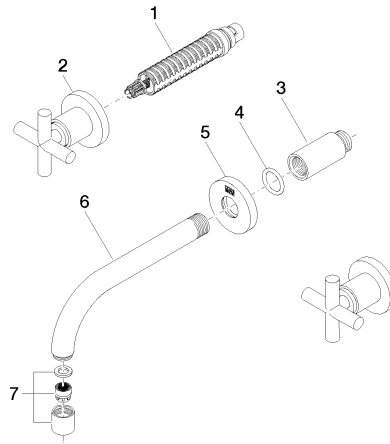
Flow rate chart



Certificates

WRAS_2107049. LGA_18937. ACS_20 ACC LY 741. ETA_19023.

36 707 892



Spare parts list

No.	Item Number	Name	Quantity used	Delivery time
1	90 90 03 157 00 90	top	2	2
2	36 310 892-99	connection	2	50
3	09 24 03 081 10 90	extension	1	2
4	90 14 10 026 00 90	seal	1	2
5	09 27 22 503-99	rosette	1	50
6	04 28 22 089 10-99	spout	1	50
7	90 23 01 019 00-99	aerator	1	50