

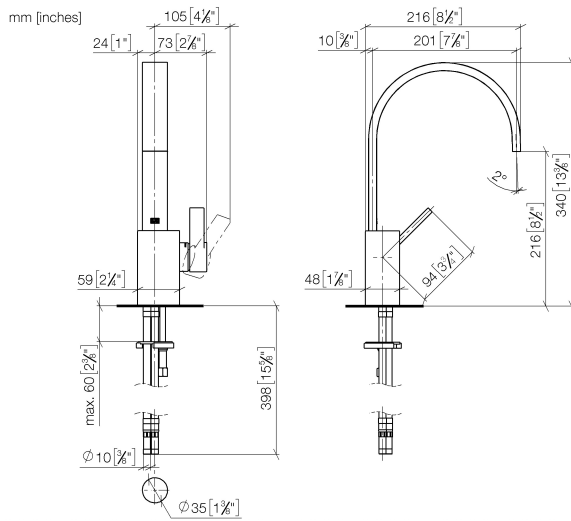
33 526 782



- 200 mm projection
- fixed spout
- rectangular, air-enriched flow
- height of mixer 340 mm
- height up to aerator 216 mm
- hole diameter 35 mm
- 2x screw-in M 10 x 1 pressure hose, leak-tested
- max. flow 5.7 l/min
- lead-free
- WRAS 1804056
- This product can help a building to meet requirements of Green Building Rating Systems, e.g. LEED®, BREEAM®, DGNB

	Chrome	33 526 782-00
	Brushed Platinum	33 526 782-06
	Platinum	33 526 782-08
	Dark Chrome	33 526 782-19
	Brushed Durabrass (23kt Gold)	33 526 782-28
	Brushed Champagne (22kt Gold)	33 526 782-46
	Champagne (22kt Gold)	33 526 782-47
	Brushed Dark Platinum	33 526 782-99

33 526 782



Flow rate chart



Certificates

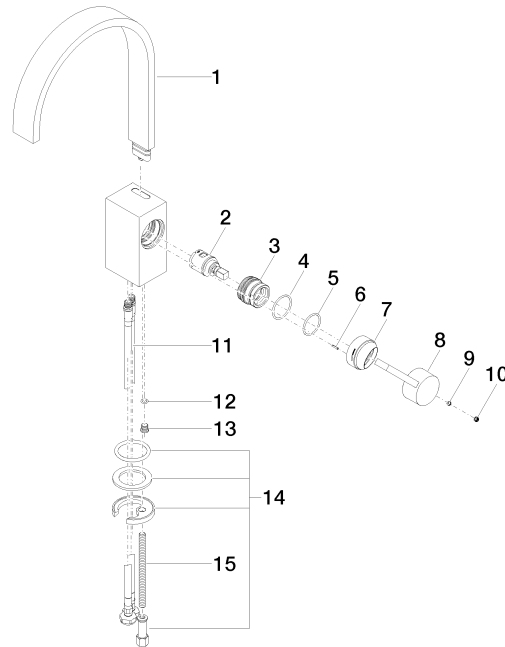
ETA_18157.

WRAS_1804056.

LGA_28440.

GDV_0400284.

33 526 782



Spare parts list

No.	Item Number	Name	Quantity used	Delivery time
1	90 28 22 152 01-00	spout	1	10
2	90 15 05 042 00 90	cartridge	1	2
3	09 24 04 288 90	nut	1	2
4	09 14 10 137 90	seal	1	2
5	90 14 10 063 00 90	seal	1	2
6	09 31 11 152 90	pin	1	2
7	09 28 30 028-00	cover	1	10
8	09 20 78 057-00	handle	1	10
9	90 31 11 063 00 90	pin	1	2
10	90 31 20 109 00 90	plug	1	2
11	04 30 04 104 00 90	hose	2	2
12	09 14 10 132 90	seal	1	2
13	09 31 20 027 10-00	plug	1	10
14	04 30 11 038 75 90	fixing set	1	2
15	09 31 11 012 90	pin	1	2