

TARA Showerpipe with shower mixer without hand shower FlowReduce 220 mm - Chrome

TARA

26 632 892



- shower with fixed riser projection 420mm
- overhead shower: rain flow
- rain shower Ø 220 mm
- rain shower with anti-scale system
- max. rainshower flow 7 l/min
- rotary diverter for fixed-riser shower/hand shower
- height of fittings up to rain shower (bottom edge) 1007mm
- height of fittings up to top edge of elbow 1167mm
- rosette for shower holder Ø 55mm
- rosette for wall mounting Ø 57mm
- rosette for shower mixer Ø 65mm
- gauge 150 mm - 13 mm
- 1500 mm metal shower hose
- 1/2" connection
- Pipe diameter 20 mm
- quick clearing
- This product can help a building to meet requirements of Green Building Rating Systems, e.g. LEED®, BREEAM®, DGNB

This article does not include a hand shower!
Intrinsic protection against back flow.

| | | |
|--|-------------------------------|---------------|
| | Chrome | 26 632 892-00 |
| | Brushed Platinum | 26 632 892-06 |
| | Platinum | 26 632 892-08 |
| | Dark Chrome | 26 632 892-19 |
| | Brushed Durabrass (23kt Gold) | 26 632 892-28 |
| | Matte Black | 26 632 892-33 |
| | Brushed Champagne (22kt Gold) | 26 632 892-46 |
| | Champagne (22kt Gold) | 26 632 892-47 |
| | Brushed Chrome | 26 632 892-93 |
| | Brushed Dark Platinum | 26 632 892-99 |

Required miscellaneous

| | | |
|--|-----------------------------|---------------|
| | Hand shower - Chrome | 28 015 979-00 |
|--|-----------------------------|---------------|

Required miscellaneous

| | | |
|--|--|-----------------------|
| | Hand shower FlowReduce - Chrome | 28 012 979-00 0010 |
|--|--|-----------------------|

Required miscellaneous

| | | |
|--|-----------------------------|---------------|
| | Hand shower - Chrome | 28 016 979-00 |
|--|-----------------------------|---------------|

Required miscellaneous

| | | |
|--|-----------------------------|---------------|
| | Hand shower - Chrome | 28 018 979-00 |
|--|-----------------------------|---------------|

Required miscellaneous

| | | |
|--|--|-----------------------|
| | Hand shower FlowReduce - Chrome | 28 016 979-00 0010 |
|--|--|-----------------------|

Required miscellaneous

| | | |
|--|-----------------------------|---------------|
| | Hand shower - Chrome | 28 017 979-00 |
|--|-----------------------------|---------------|

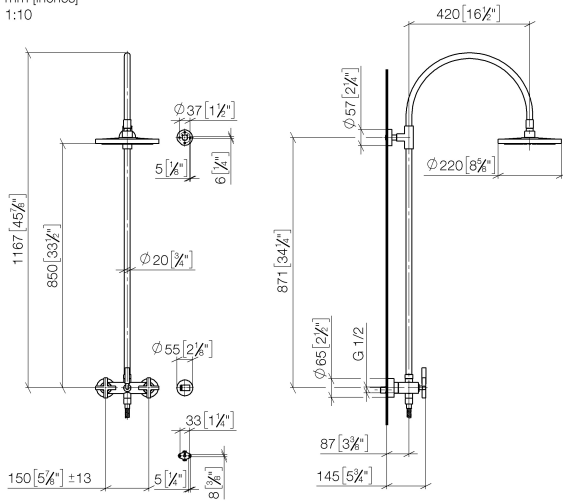
Required miscellaneous

| | | |
|--|-----------------------------|---------------|
| | Hand shower - Chrome | 28 012 979-00 |
|--|-----------------------------|---------------|

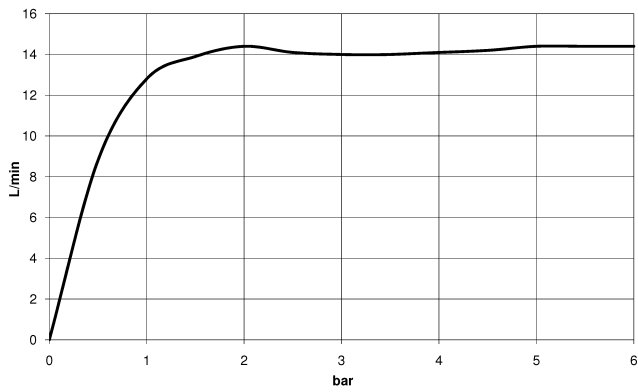
Required miscellaneous

| | | |
|--|--|-----------------------|
| | Hand shower FlowReduce - Chrome | 28 018 979-00 0010 |
|--|--|-----------------------|

26 632 892
mm [inches]
1:10



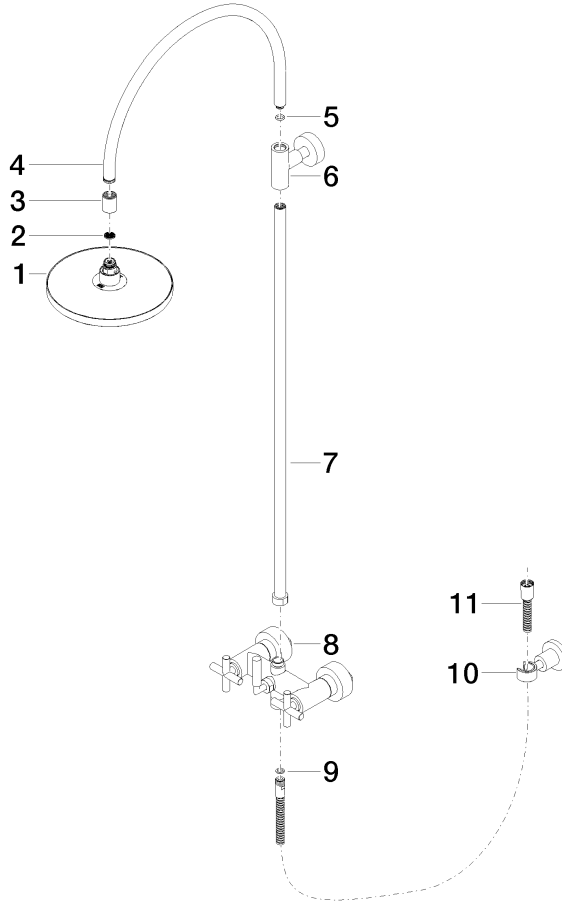
Flow rate chart



Certificates

Belgaqua_21-023- LGA_29979. WRAS_2204012.
27_8.

26 632 892



Spare parts list

| No. | Item Number | Name | Quantity used | Delivery time |
|-----|--------------------|--|---------------|---------------|
| 1 | 90 12 05 092 20-00 | shower | 1 | 10 |
| 2 | 09 23 01 039 90 | sieve | 1 | 2 |
| 3 | 09 24 03 177 20-00 | adaptor | 1 | 10 |
| 4 | 04 28 22 097 20-00 | spout | 1 | 10 |
| 5 | 90 14 10 011 00 90 | seal | 1 | 2 |
| 6 | 90 17 11 037 00-00 | holder | 1 | 10 |
| 7 | 90 28 22 096 00-00 | pipe | 1 | 10 |
| 8 | 04 17 10 020 01-00 | fitting | 1 | 10 |
| 9 | 90 14 20 026 00 90 | seal | 1 | 2 |
| 10 | 28 050 892-00 | TARA Wall bracket - Chrome | 1 | 10 |
| 11 | 28 304 970-00 | Metal shower hose 1/2" x 3/8" x 1500 mm - Chrome | 1 | 2 |