

24 510 892

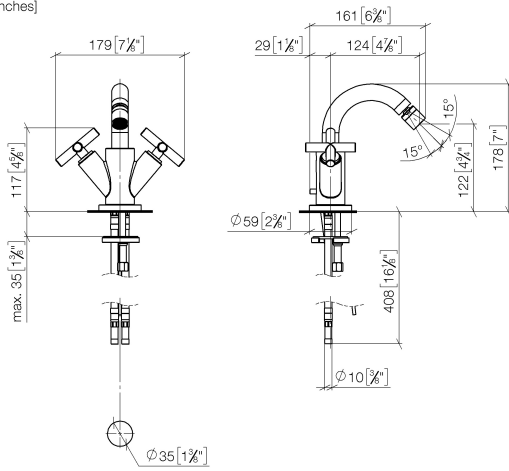


- 124 mm projection
- ball-joint pivotable through 15° (in any direction)
- circular, air-enriched flow
- height of mixer 180 mm
- height up to aerator 123 mm
- hole diameter 35 mm
- rosette Ø 59 mm
- 2x screw-in M 10 x 1 pressure hose, leak-tested
- max. flow 7 l/min

	Matte Black	24 510 892-33
	Chrome	24 510 892-00
	Brushed Platinum	24 510 892-06
	Platinum	24 510 892-08
	Dark Chrome	24 510 892-19
	Brushed Durabronze (23kt Gold)	24 510 892-28
	Brushed Champagne (22kt Gold)	24 510 892-46
	Champagne (22kt Gold)	24 510 892-47
	Brushed Chrome	24 510 892-93
	Brushed Dark Platinum	24 510 892-99

24 510 892

mm [inches]



Flow rate chart

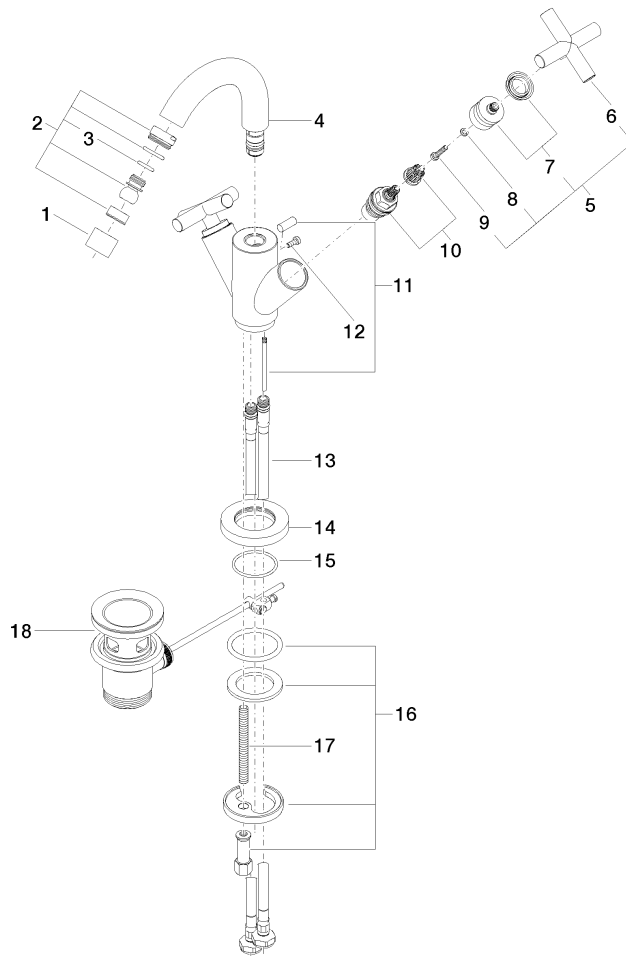


Certificates

IAPMO\_4976 (5). LGA\_18920.

24 510 892

Parts for other finishes can be found here: [Chrome](#)



### Spare parts list

No.	Item Number	Name	Quantity used	Delivery time
1	90 23 01 004 05-33	aerator	1	30
2	04 21 40 007 00-33	joint	1	30
3	90 14 10 011 00 90	seal	1	2
4	90 28 22 216 00-33	spout	1	-
Spare part can no longer be ordered, please order the replacement item				
5	90 20 89 010 10-33	handle	2	30
6	09 20 89 010-33	handle	2	30
7	90 12 12 007 00-33	base	2	30
8	90 30 11 029 00 90	disc	2	2
9	90 30 30 075 00 90	screw	2	2
10	90 90 03 151 00 90	top	2	2
11	04 20 89 035 80-33	pull-rod	1	30
12	09 30 30 054 90	screw	1	2
13	04 30 04 104 00 90	hose	2	2
14	09 28 10 132-33	ring	1	30
15	09 14 10 134 90	seal	1	2
16	04 30 11 038 00 90	fixing set	1	2
17	09 31 11 011 90	pin	1	2
18	90 11 01 001 00-33	pop-up waste	1	30