

20 710 892




- 135 mm projection
- pivotable spout 360°
- circular, air-enriched flow
- height of mixer 270 mm
- height up to aerator 161 mm
- hole diameter valve 32 mm
- hole diameter spout 35 mm
- rosette Ø 55 mm
- 2x screw-in M 10 x 1 pressure hose, leak-tested
- max. flow 7 l/min
- lead-free
- WRAS 1703013
- This product can help a building to meet requirements of Green Building Rating Systems, e.g. LEED®, BREEAM®, DGNB

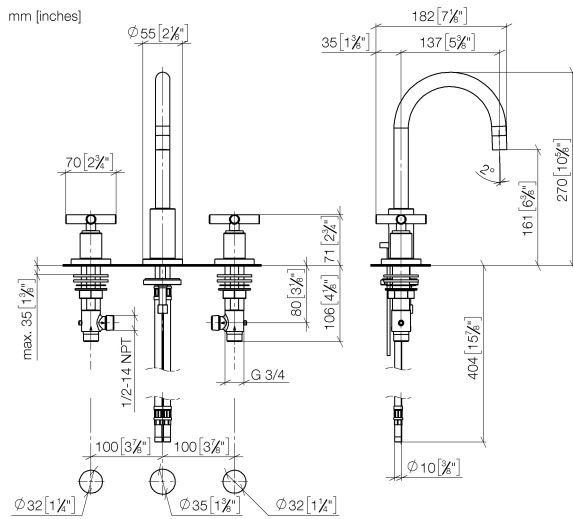
Only suitable for basins with an overflow.

	Chrome	20 710 892-00
	Brushed Platinum	20 710 892-06
	Platinum	20 710 892-08
	Dark Chrome	20 710 892-19
	Brushed Durabronze (23kt Gold)	20 710 892-28
	Matte Black	20 710 892-33
	Brushed Champagne (22kt Gold)	20 710 892-46
	Champagne (22kt Gold)	20 710 892-47
	Brushed Chrome	20 710 892-93
	Brushed Dark Platinum	20 710 892-99

Recommended miscellaneous

	High pressure hoses - • 2x 3/8" x 1/2" x 500mm high pressure hose	12 506 970 90
---	---	---------------

20 710 892



Flow rate chart

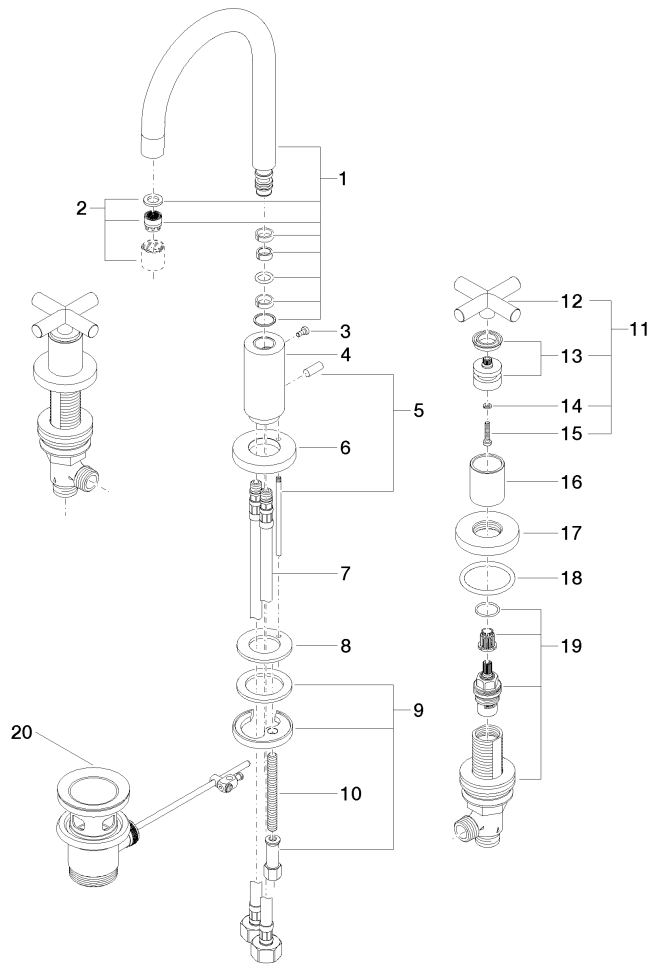


Certificates

GDV_0400165. LGA_18925. ETA_18514. WRAS_2212026. ACS_20 ACC LY 736.

GDV_0400289.

20 710 892



Spare parts list

No.	Item Number	Name	Quantity used	Delivery time
1	90 28 22 217 01-00	spout	1	10
2	90 23 01 028 03-00	aerator	1	10
3	09 30 30 057 90	screw	1	2
4	09 11 10 087 10-00	connection	1	10
5	04 20 89 030 80-00	pull-rod	1	10
6	09 28 10 133-00	ring	1	10
7	04 30 04 019 00 90	hose	2	2
8	09 14 05 047 90	seal	1	2
9	04 30 11 038 00 90	fixing set	1	2
10	09 31 11 011 90	pin	1	2
11	90 20 89 010 10-00	handle	2	10
12	09 20 89 010-00	handle	2	10
13	90 12 12 007 00-00	base	2	10
14	90 30 11 029 00 90	disc	2	2
15	90 30 30 075 00 90	screw	2	2
16	09 21 02 140-00	sleeve	2	10
18	09 27 89 105-00	rosette	4	10
19	90 17 11 040 51 90	side panel	2	2
20	90 11 01 001 00-00	pop-up waste	1	10