

TARA ULTRA Single-lever mixer - Chrome

33 800 875 Product version from 6/1/2022



- 201mm projection
- pivotable spout 360°
- air-enriched flow
- height of mixer 373 mm
- height up to aerator 240 mm
- hole diameter 35 mm
- max. flow 8 l/min at 3 bar flow pressure
- lead-free
- This product can help a building meet the requirements of Green Building Rating Systems, e.g. LEED®, BREEAM®, DGNB
- WRAS

	Chrome	33 800 875-00
	Brushed Platinum	33 800 875-06
	Platinum	33 800 875-08
	Durabronze (23kt Gold)	33 800 875-09
	Dark Chrome	33 800 875-19
	Brushed Durabronze (23kt Gold)	33 800 875-28
	Matte Black	33 800 875-33
	Brushed Champagne (22kt Gold)	33 800 875-46
	Champagne (22kt Gold)	33 800 875-47
	Brushed Chrome	33 800 875-93
	Brushed Dark Platinum	33 800 875-99

Recommended miscellaneous

Strainer waste with control handle - Chrome 10 712 970-00



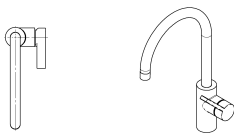
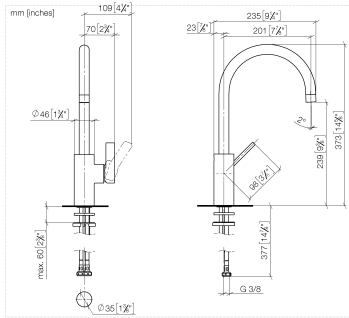
Recommended miscellaneous

Dispenser without rosette - Chrome 82 424 970-00

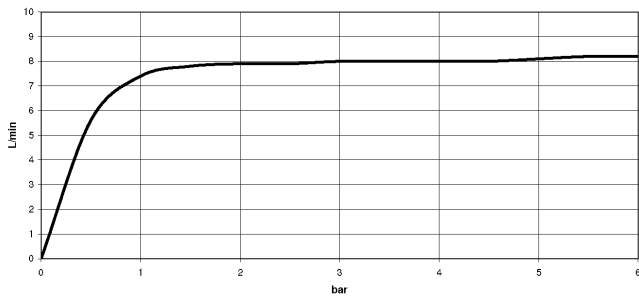


TARA ULTRA Single-lever mixer - Chrome

33 800 875 Product version from 6/1/2022



Flow rate chart



Codes & Standards

DIN 4109

EN 817

Executive Order
no. 1007

ISO 3822

Scottish Water
Byelaws

UK Water Supply
Regulations

Ü-Zeichen

VA-Zeichen



TARA ULTRA Single-lever mixer - Chrome

33 800 875 Product version from 6/1/2022

Certificates

GDV_0400

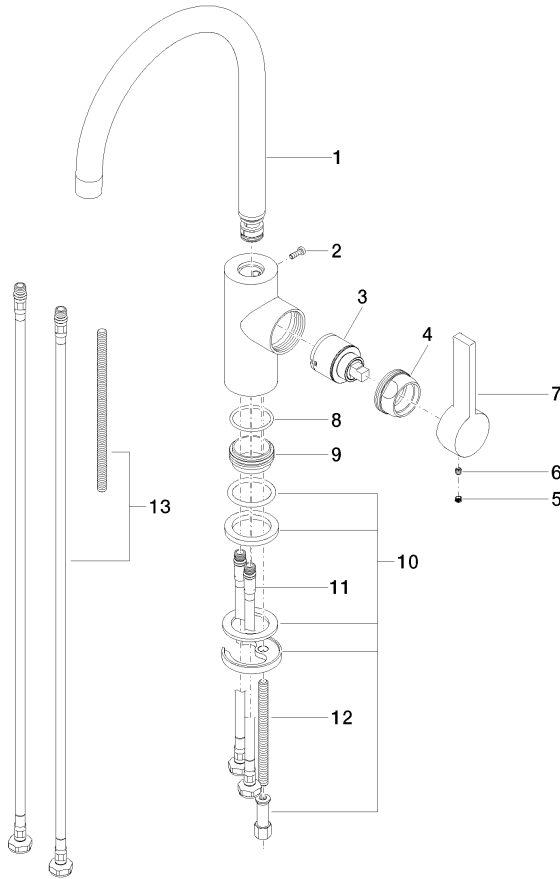
LGA_18

WRAS_2101

ETA_18

TARA ULTRA Single-lever mixer - Chrome

33 800 875 Product version from 6/1/2022



Spare parts list

No.	Item Number	Name	Quantity used	Delivery time
1	90 28 22 204 02-00	spout	1	10
2	09 30 30 080 90	screw	1	2
3	90 15 05 045 00 90	cartridge	1	2
4	09 24 04 107-00	nut	1	10
5	90 31 20 109 00 90	plug	1	2
6	90 31 11 030 00 90	pin	1	2
7	09 20 79 040-00	handle	1	10
8	09 14 10 119 90	seal	1	2
9	09 28 10 109-07	ring	1	30
10	04 30 11 085 88 90	fixing set	1	2
11	04 30 04 104 00 90	hose	2	2
12	09 31 11 012 90	pin	1	2
13	12 803 970 90	extension	1	60