

Sink - Meta

Single-lever lavatory mixer with drain - polished chrome

Article number: 33 502 660-00 0010

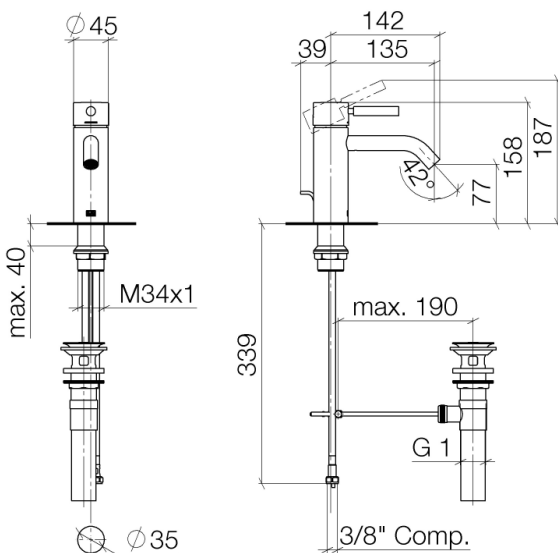


- 5-3/8" Projection
- Rigid spout
- Round aerated stream
- Total height 6-1/4"
- Height to aerator/spout outlet 3"
- 1-3/8" hole diameter
- 2x 3/8" flexible supply lines
- Water flow rate limited to max. 1.2 gpm
- lead-free
- Suitable only for basins with overflow.



polished chrome

Dimensional drawing



All dimensions in mm / inch = mm x 0,0394