

Bath - VAIA

Five-hole bath mixer for deck mounting with diverter - polished chrome

Article number: 27 522 809-00



- 220 mm projection
- complete hand shower set: normal flow
- spout: circular, air-enriched flow
- complete hand shower set with anti-scale system
- automatic bath/shower diverter
- height of mixer 347 mm
- height up to aerator 244 mm
- deck valve hole diameter 32 mm
- hole diameter spout 32 mm
- hole diameter for complete hand shower set 32 mm
- rosette for complete hand shower set Ø 60mm
- rosette for spout Ø 60mm
- rosette for deck valve Ø 60mm
- metal shower hose 1750mm with integrated anti-twist protection
- max. flow 21.5 l/min at 3 bar flow pressure
- max. flow for complete hand shower set 6.8 l/min
- Fittings group as per DIN 4109: 1
- Intrinsic protection against back flow.



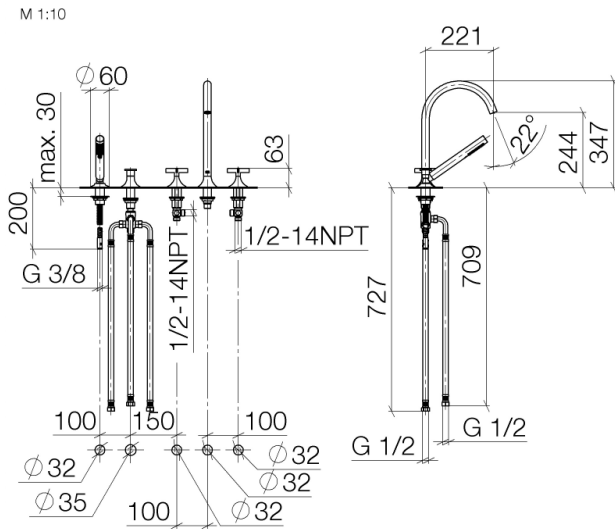
polished chrome

Bath - VAIA

Five-hole bath mixer for deck mounting with diverter - polished chrome

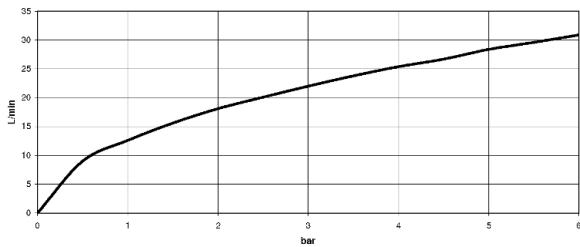
Article number: 27 522 809-00

Dimensional drawing



All details in mm / inch = mm x 0.0394

Flow rate chart



Bath - VAIA

Five-hole bath mixer for deck mounting with diverter - polished chrome

Article number: 27 522 809-00

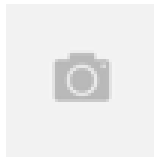
Other finish variants



platinum matt
27 522 809-06



platinum
27 522 809-08



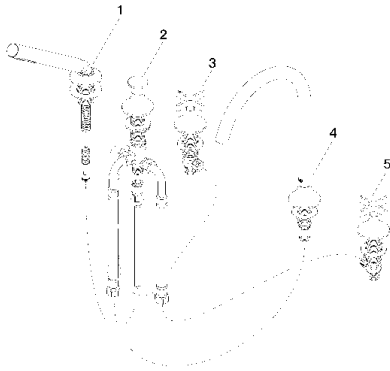
brushed Durabrass
27 522 809-28



Dark Platinum matt
27 522 809-99

Other finishes on request (x-tra Service)

Spare parts list



No.	Item Number	Name	Quantity used
1	27 702 809-00	Hand shower set for bath rim or tile edge installation - polished chrome	1
2	29 140 809-00	Two-way diverter for bath rim or tile edge installation - polished chrome	1
3	20 000 808-00	Deck valve clockwise closing hot - polished chrome	1
4	12 502 970 90	High pressure hose 1/2" x 1/2" x 400 mm -	2
5	13 612 809-00	bath spout without diverter for deck mounting - polished chrome	1
6	20 000 809-00	Deck valve clockwise closing cold - polished chrome	1