

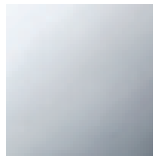
Bath - CL.1

Single-lever bath mixer with stand pipe for free-standing assembly with hand shower set -

Article number: 25 863 705-00



- 238 mm projection
- rectangular spray pattern with 55 individual jets
- complete hand shower set: normal flow
- bar-type hand shower with anti-scale system
- wall bracket
- automatic bath/shower diverter
- total height 935 - 1005 mm
- stand pipe height 598 - 668 mm
- height up to aerator 852 – 922 mm
- push-on rosette 131 x 131 mm
- metal shower hose 1250mm with integrated anti-twist protection
- max. spout flow rate 24.6 l/min
- max. flow for complete hand shower set 6.8 l/min
- Fittings group as per DIN 4109: 1



polished chrome

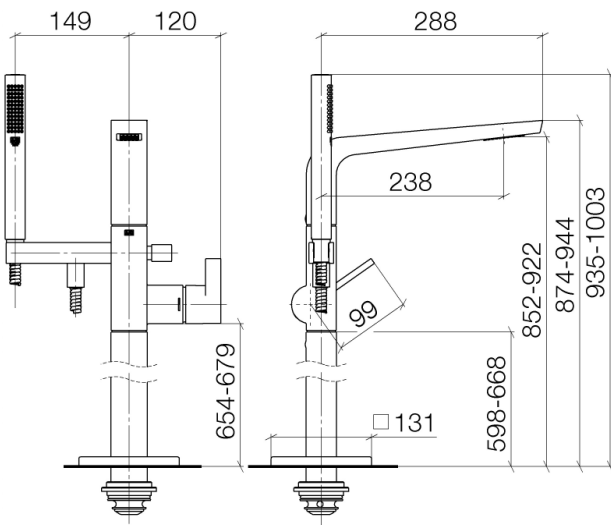
Miscellaneous items are required for this article.

Bath - CL.1

Single-lever bath mixer with stand pipe for free-standing assembly with hand shower set -

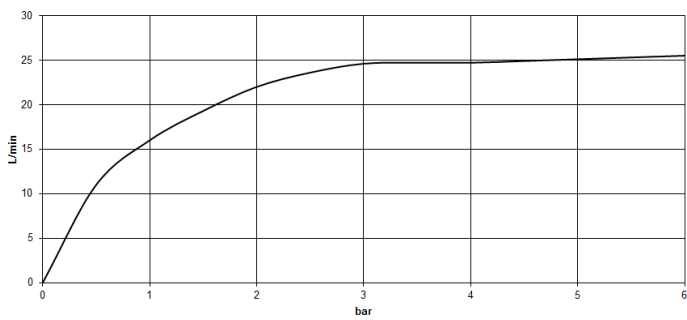
Article number: 25 863 705-00

Dimensional drawing



All details in mm / inch = mm x 0.0394

Flow rate chart





Bath - CL.1

Single-lever bath mixer with stand pipe for free-standing assembly with hand shower set -

Article number: 25 863 705-00

Other finish variants



platinum matt
25 863 705-06



Dark Platinum matt
25 863 705-99

Other finishes on request (x-tra Service)

Required miscellaneous



35 945 970 90

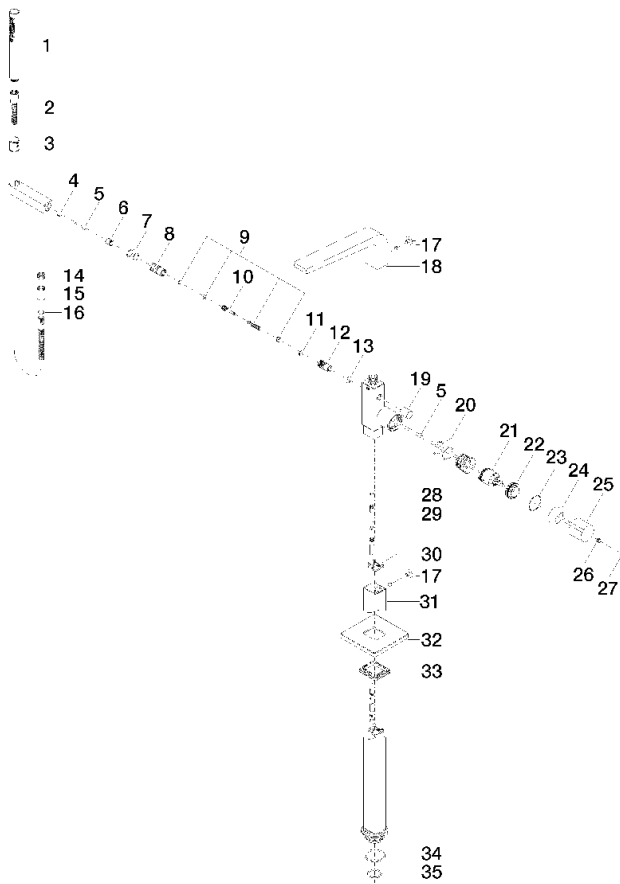
Concealed floor mounting -

Spare parts list

Bath - CL.1

Single-lever bath mixer with stand pipe for free-standing assembly with hand shower set -

Article number: 25 863 705-00



| No. | Item Number | Name | Quantity used |
|-----|--------------------|---|---------------|
| 1 | 28 013 979-00 0010 | Bar-type hand shower - polished chrome | 1 |
| 2 | 09 30 02 072-00 | Metal shower hose 1/2" x 3/8" x 1250 mm - polished chrome | 1 |
| 3 | 09 18 40 118 90 | sleeve | 1 |
| 4 | 09 31 11 058 90 | pin | 1 |
| 5 | 09 31 11 040 90 | pin | 3 |
| 6 | 09 23 01 141 90 | back-flow preventer | 1 |
| 7 | 09 14 10 010 90 | seal | 2 |
| 8 | 09 24 03 130-00 | nipple | 1 |
| 9 | 90 16 02 023 00 90 | spring | 1 |
| 10 | 09 31 09 094 20-00 | pull-rod | 1 |
| 11 | 09 14 10 055 90 | seal | 1 |
| 12 | 09 21 34 080-00 | nipple | 1 |
| 13 | 09 14 10 033 90 | seal | 1 |
| 14 | 09 24 03 069 90 | nipple | 1 |
| 15 | 09 21 02 069-00 | cover | 1 |
| 16 | 09 14 20 026 90 | seal | 1 |
| 17 | 04 31 20 034 00 90 | plug | 2 |
| 18 | 90 11 70 008 00-00 | spout | 1 |
| 19 | 09 20 71 031-00 | handle | 1 |
| 20 | 09 14 10 148 90 | seal | 2 |
| 21 | 90 15 05 039 00 90 | cartridge | 1 |
| 22 | 09 24 04 298 90 | nut | 1 |
| 23 | 09 14 10 037 90 | seal | 1 |
| 24 | 09 28 30 036-00 | cover | 1 |
| 25 | 09 20 67 014-00 | handle | 1 |
| 26 | 09 31 11 030 90 | pin | 1 |
| 27 | 90 31 20 087 00-00 | plug | 1 |
| 28 | 09 14 10 139 90 | seal | 2 |
| 29 | 04 28 22 025 00 90 | connection | 2 |
| 30 | 09 20 93 051 90 | holder | 2 |
| 31 | 04 28 22 024 00-00 | pipe | 1 |
| 32 | 09 27 71 011-00 | rosette | 1 |
| 33 | 09 14 03 107 90 | seal | 1 |
| 34 | 09 14 10 084 90 | seal | 1 |
| 35 | 09 14 10 018 90 | seal | 1 |