

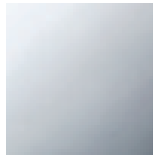
Washbasin - Tara.

Three-hole basin mixer with pop-up waste - polished chrome

Article number: 20 713 892-00



- 165 mm projection
- pivotable spout 360°
- circular, air-enriched flow
- height of mixer 285 mm
- height up to aerator 163 mm
- hole diameter valve 32 mm
- hole diameter spout 35 mm
- rosette Ø 55 mm
- 2x screw-in M 10 x 1 pressure hose, leak-tested
- max. flow 7 l/min
- lead-free
- Fittings group as per DIN 4109: 1
- Only suitable for basins with an overflow.



polished chrome

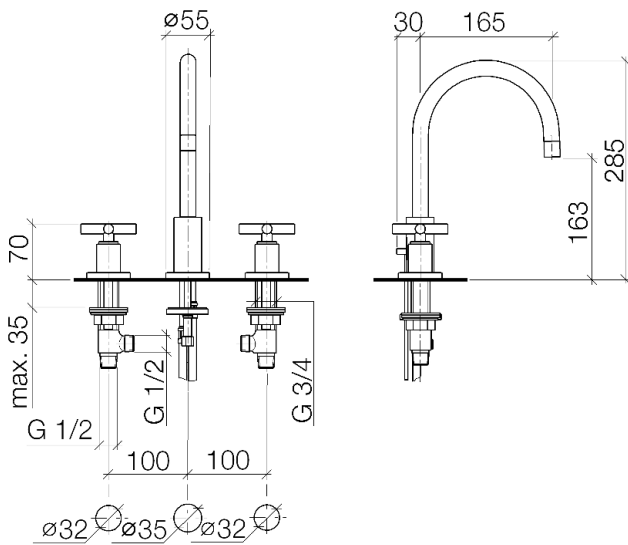


Washbasin - Tara.

Three-hole basin mixer with pop-up waste - polished chrome

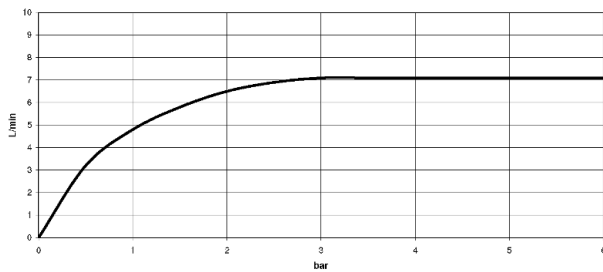
Article number: 20 713 892-00

Dimensional drawing



All details in mm / inch = mm x 0.0394

Flow rate chart





Washbasin - Tara.

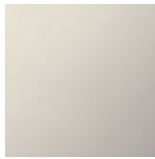
Three-hole basin mixer with pop-up waste - polished chrome

Article number: 20 713 892-00

Other finish variants



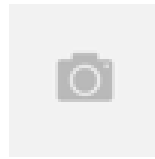
platinum matt
20 713 892-06



platinum
20 713 892-08



matt white
20 713 892-10



brushed Durabrass
20 713 892-28



matt black
20 713 892-33



Dark Platinum matt
20 713 892-99

Other finishes on request (x-tra Service)

Recommended miscellaneous



12 506 970 90

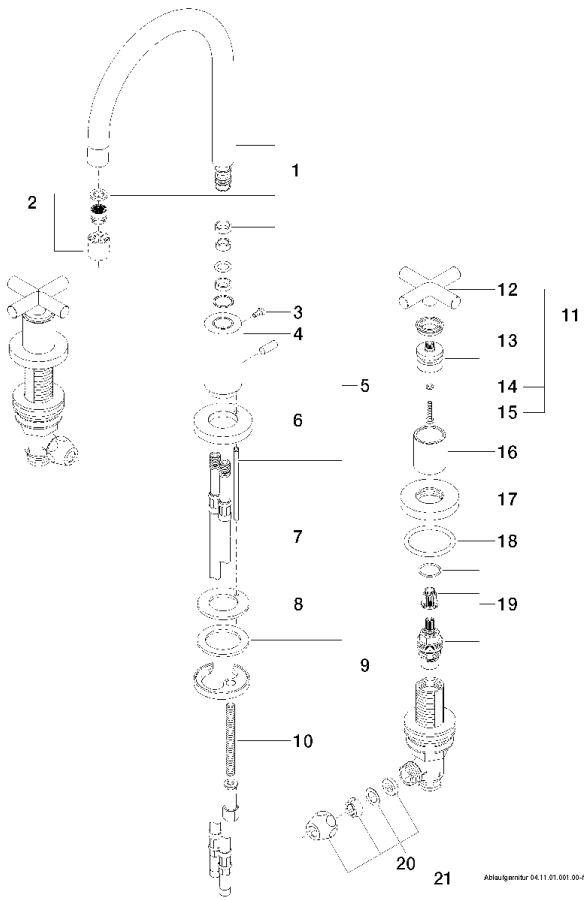
High pressure hoses -

Washbasin - Tara.

Three-hole basin mixer with pop-up waste - polished chrome

Article number: 20 713 892-00

Spare parts list



No.	Item Number	Name	Quantity used
1	90 28 22 213 01-00	spout	1
2	90 23 01 028 03-00	aerator	1
3	09 30 30 057 90	screw	1
4	09 11 10 087 10-00	connection	1
5	04 20 89 030 80-00	pull-rod	1
6	09 28 10 133-00	ring	1
7	04 30 04 064 00 90	hose	2
8	09 14 05 047 90	seal	1
9	04 30 11 038 00 90	fixing set	1
10	09 31 11 011 90	pin	1
11	04 20 89 010 00-00	handle	2
12	09 20 89 010-00	handle	2
13	90 12 12 007 00-00	base	2
14	09 30 11 029 90	disc	2
15	09 30 30 075 90	screw	2
16	09 21 02 140-00	sleeve	2
17	09 27 89 105-00	rosette	2
18	09 14 10 043 90	seal	2
19	90 17 11 040 51 90	side panel	2
20	04 23 30 040 00-00	threaded connector	4
21	04 11 01 001 00-00	pop-up waste	1